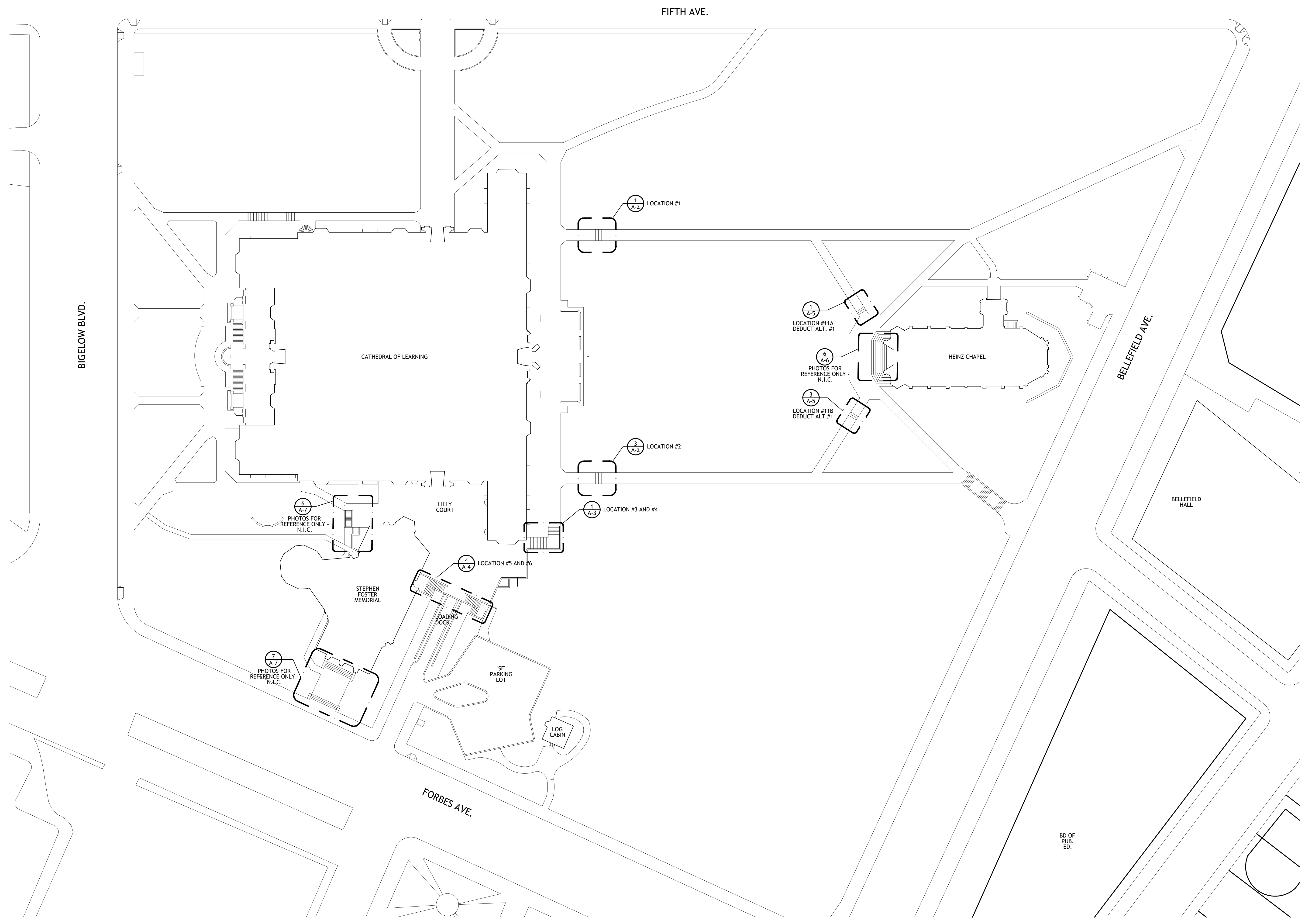

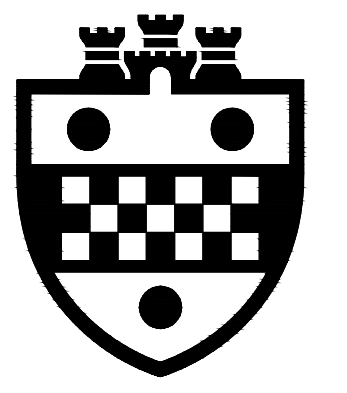


REVISIONS			
No	By	Date	Description

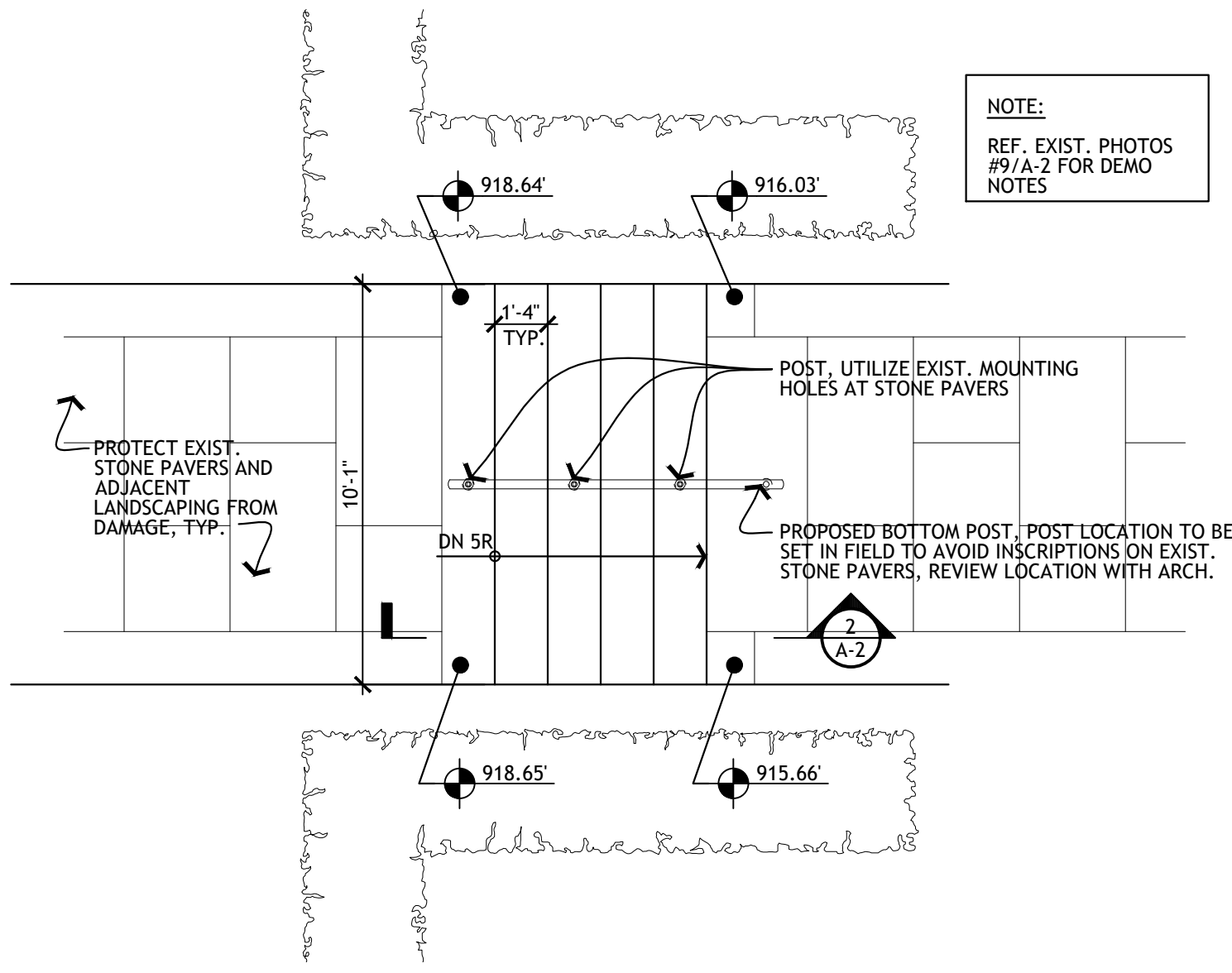


1 SITE PLAN
SCALE: 1" = 40'-0"

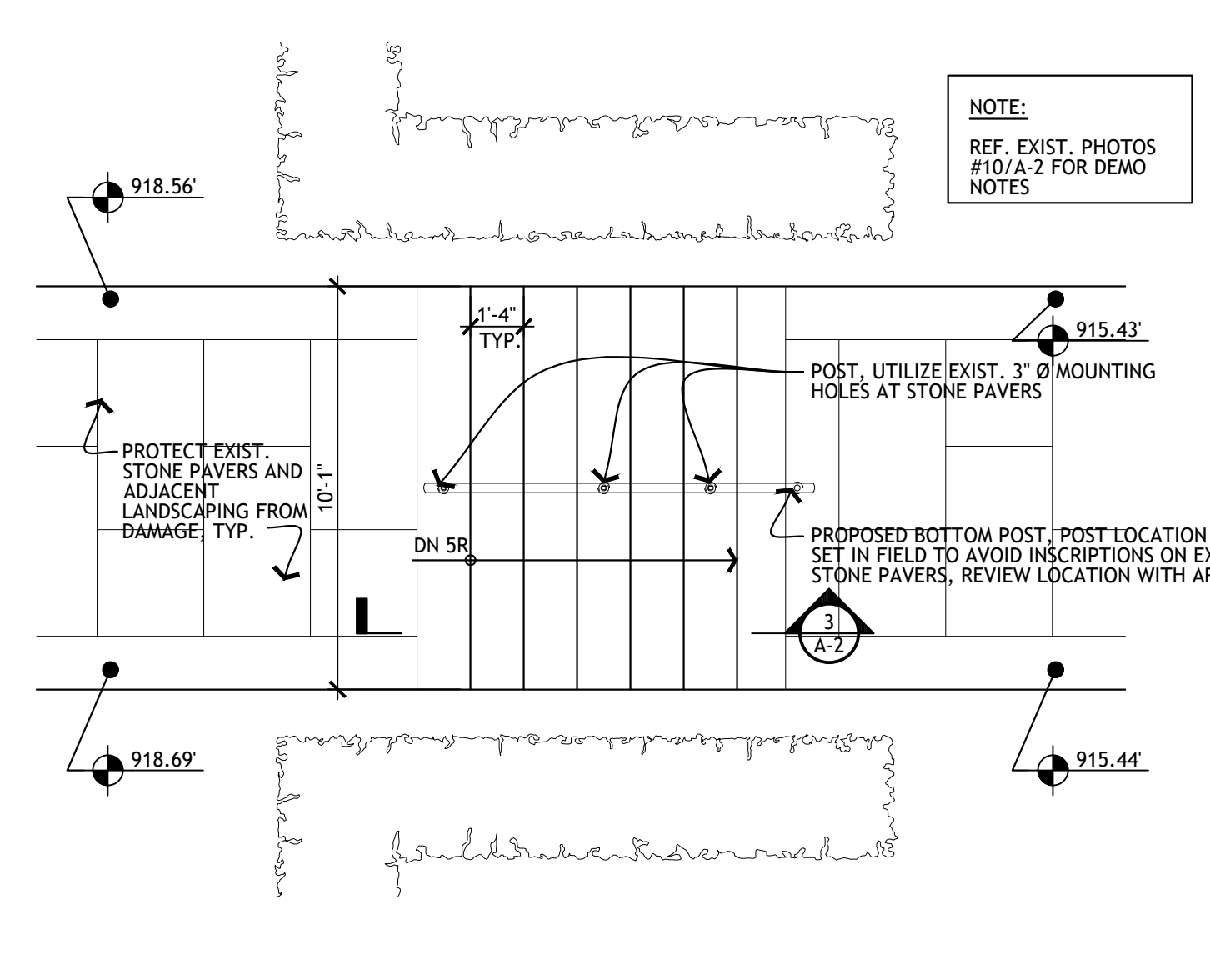


 <p>Margittal Architects 2110 Sarah Street Pittsburgh, PA 15203 t 412 488 5809 f 412 488 5873 www.margittal.com</p>	
<p>University of Pittsburgh Facilities Management</p>	
	
<p>Professional Stamp</p>	
<p>Project Name CATHEDRAL OF LEARNING SITE WORK</p>	<p>Job No. X6959</p>
<p>Issue Date 06/08/20</p>	
<p>Drawing Description SITE PLAN</p>	
<p>BID SET</p>	
<p>CAD File Name</p>	<p>Drawn By</p>
<p>Drawing Number 11115</p>	<p>Set Order A-1 3 of 9</p>

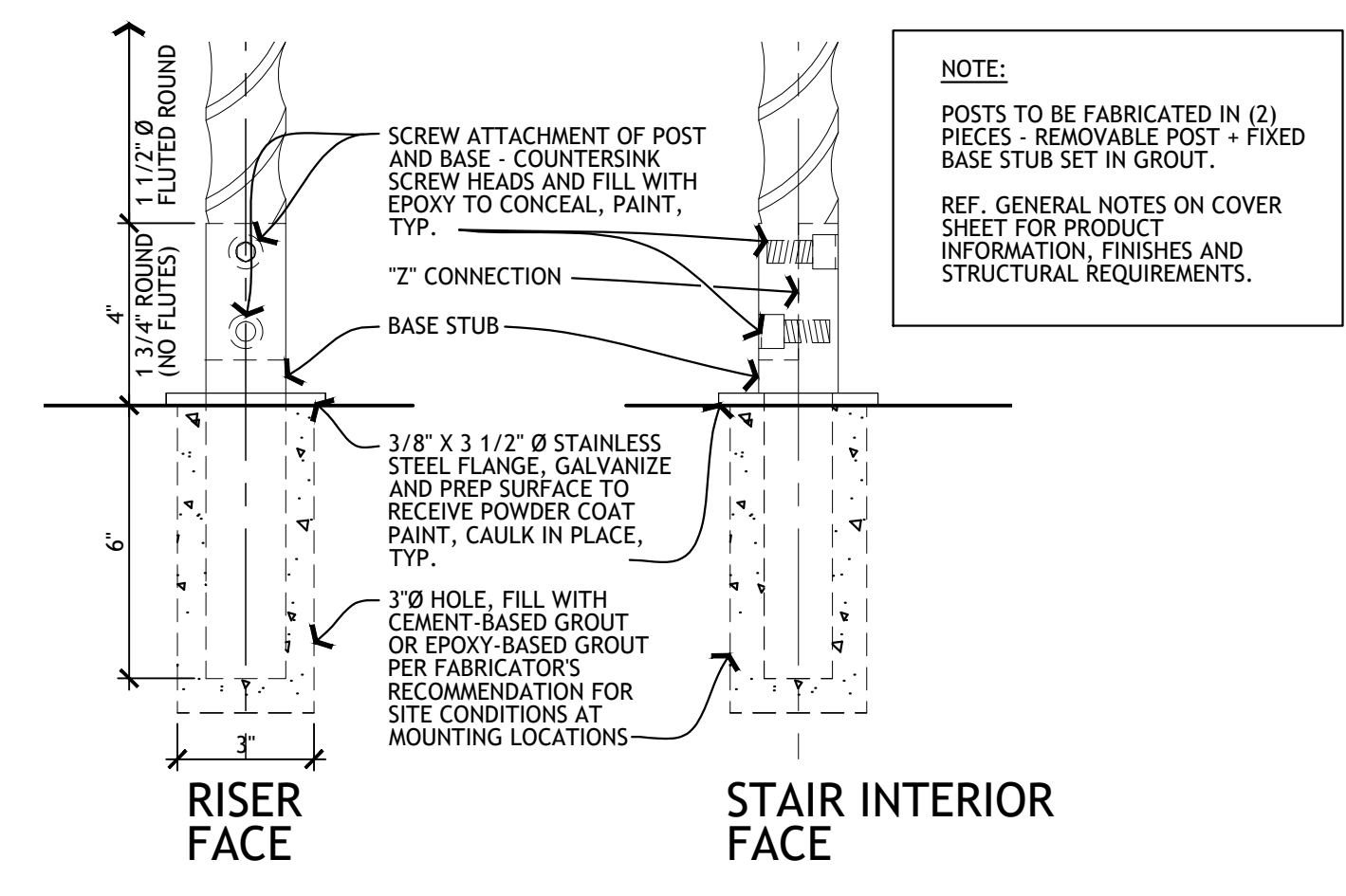
REVISIONS		
No	By	Date



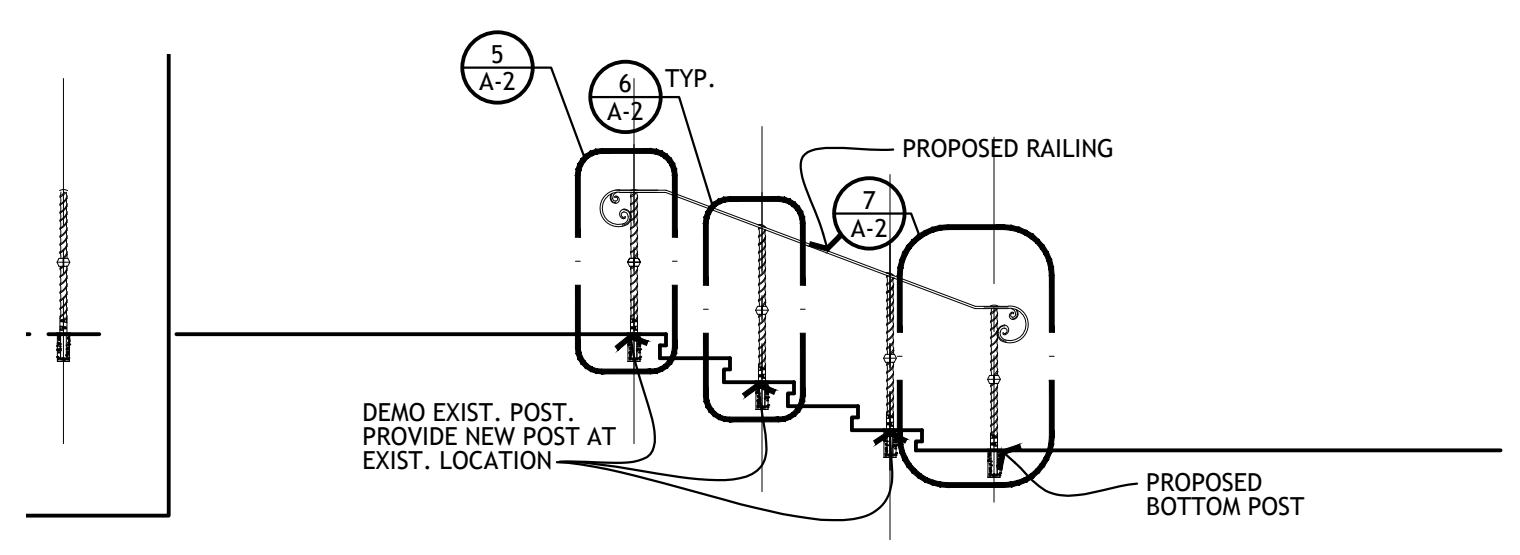
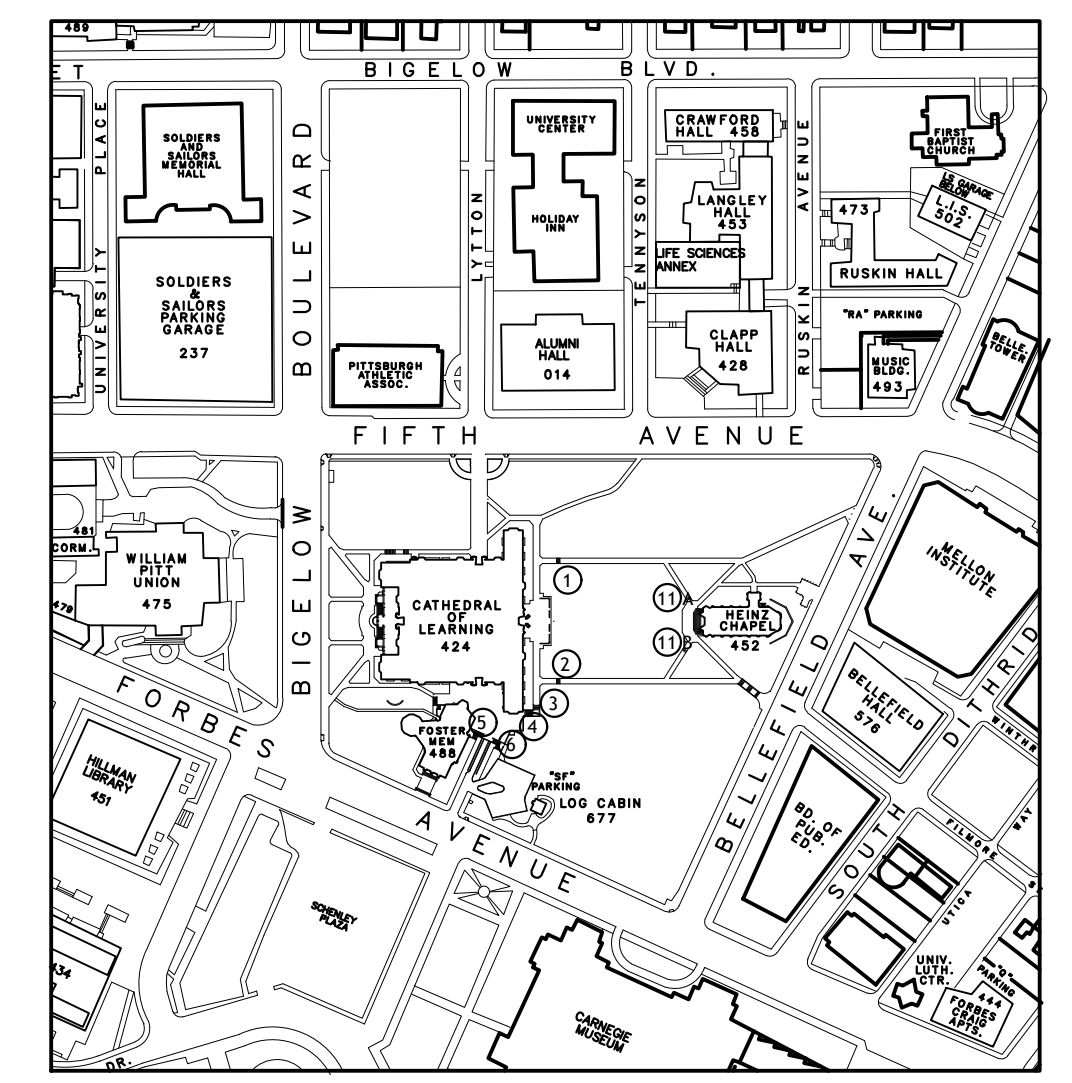
1 PLAN - LOCATION #1
SCALE: 1/4"=1'-0"



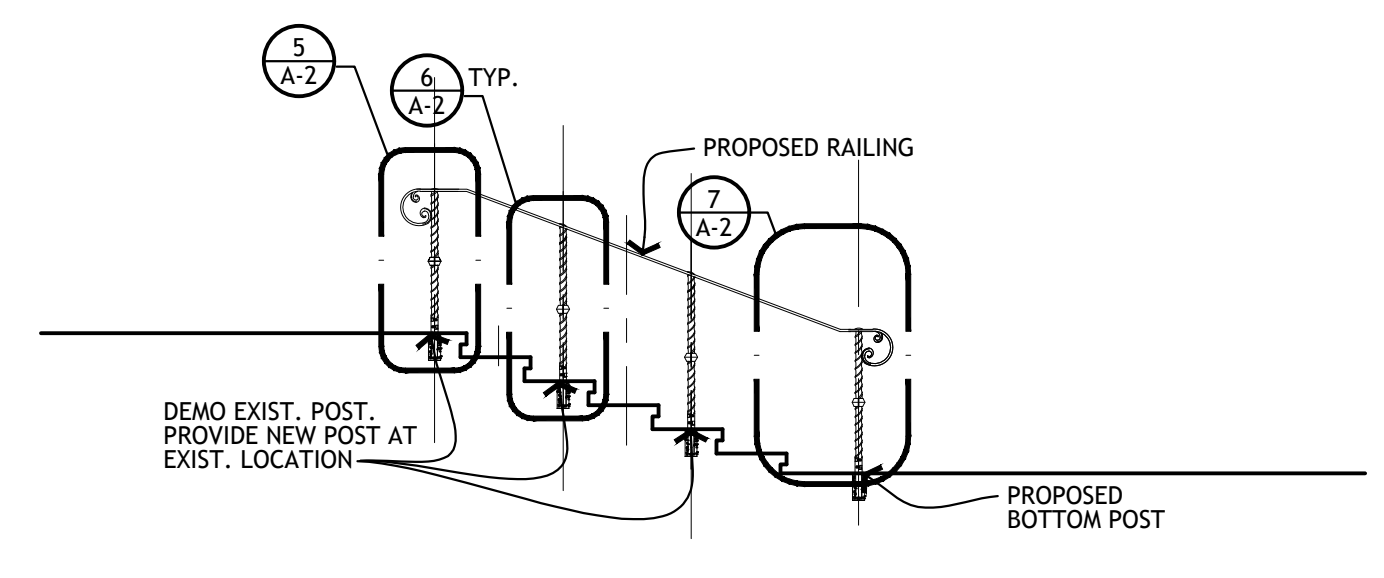
3 PLAN - LOCATION #2
SCALE: 1/4"=1'-0"



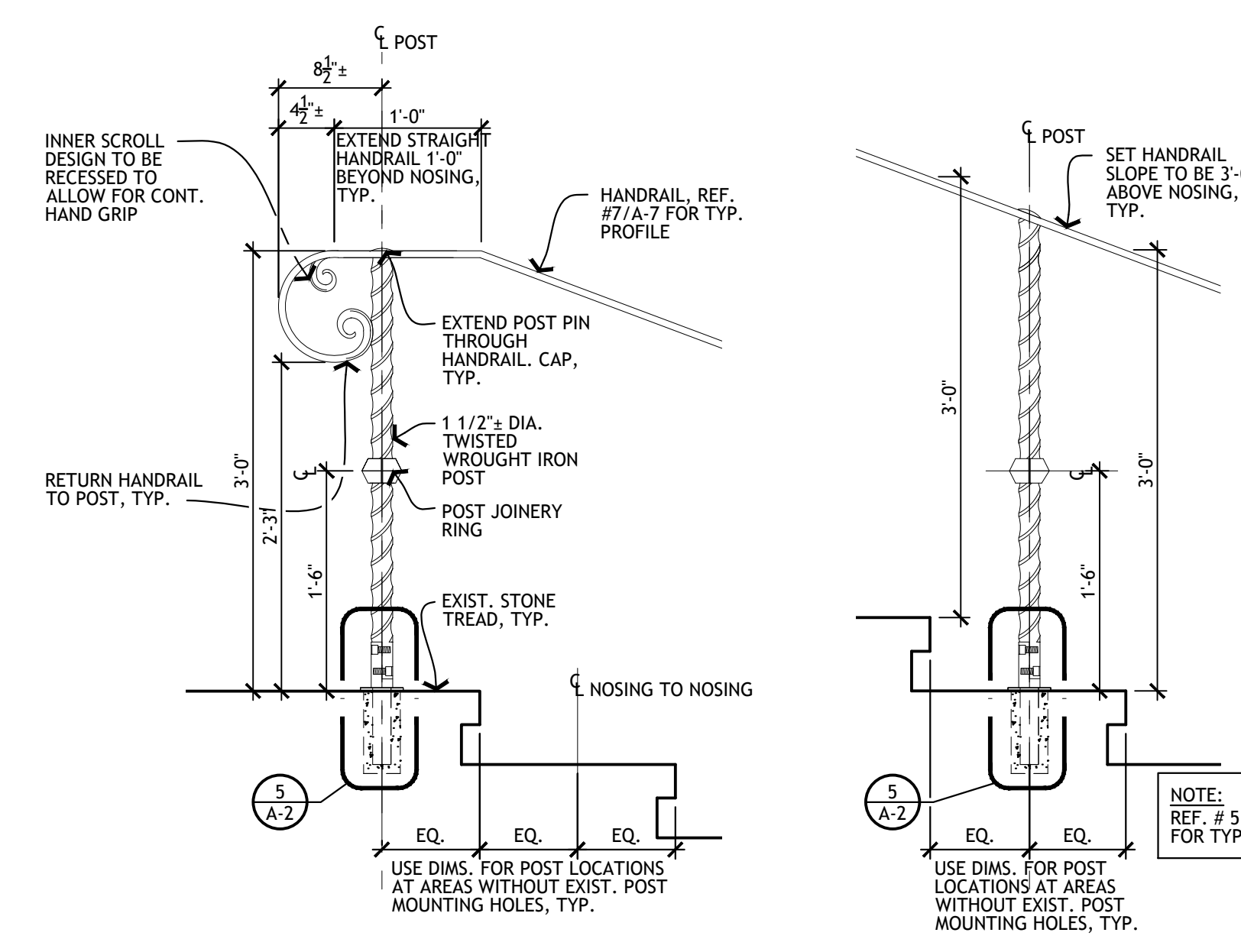
8 DETAIL - TYP. POST MOUNT
SCALE: 3"=1'-0"



2 SECTION - LOCATION #1
SCALE: 1/4"=1'-0"



4 SECTION - LOCATION #2
SCALE: 1/4"=1'-0"




5 TOP POST ELEVATION DETAIL SCALE: 1"=1'-0"
6 MIDSPAN POST ELEVATION DETAIL SCALE: 1"=1'-0"
7 BOTTOM POST ELEVATION DETAIL SCALE: 1"=1'-0"



9 PHOTOS - LOCATION #1 - EXISTING

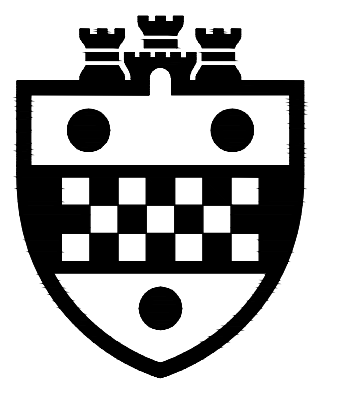


10 PHOTOS - LOCATION #2 - EXISTING



Margittal Architects
2110 Smith Street
Pittsburgh, PA 15203
t 412 488 3809
f 412 488 3873
www.margittal.com

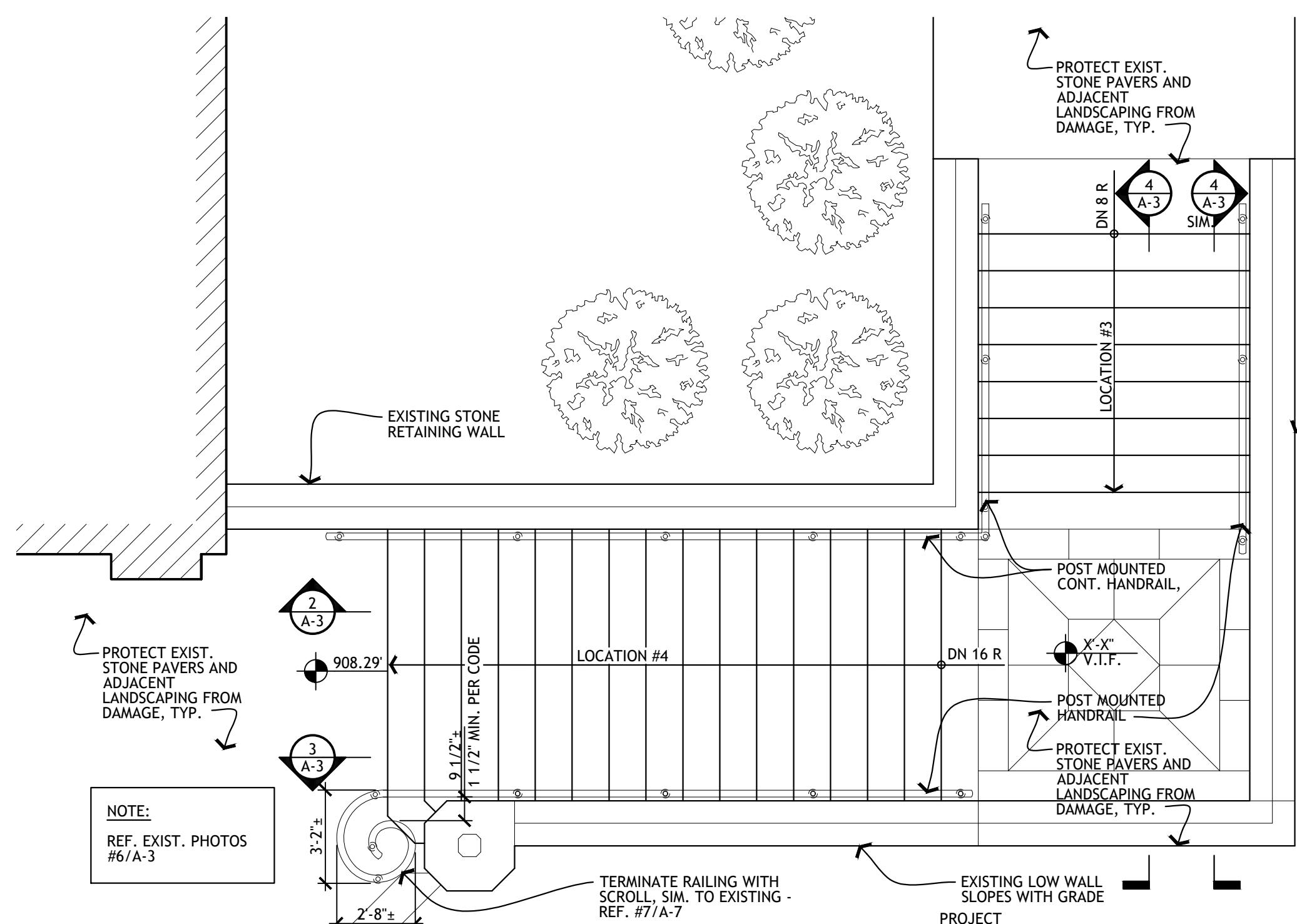
University of Pittsburgh
Facilities Management



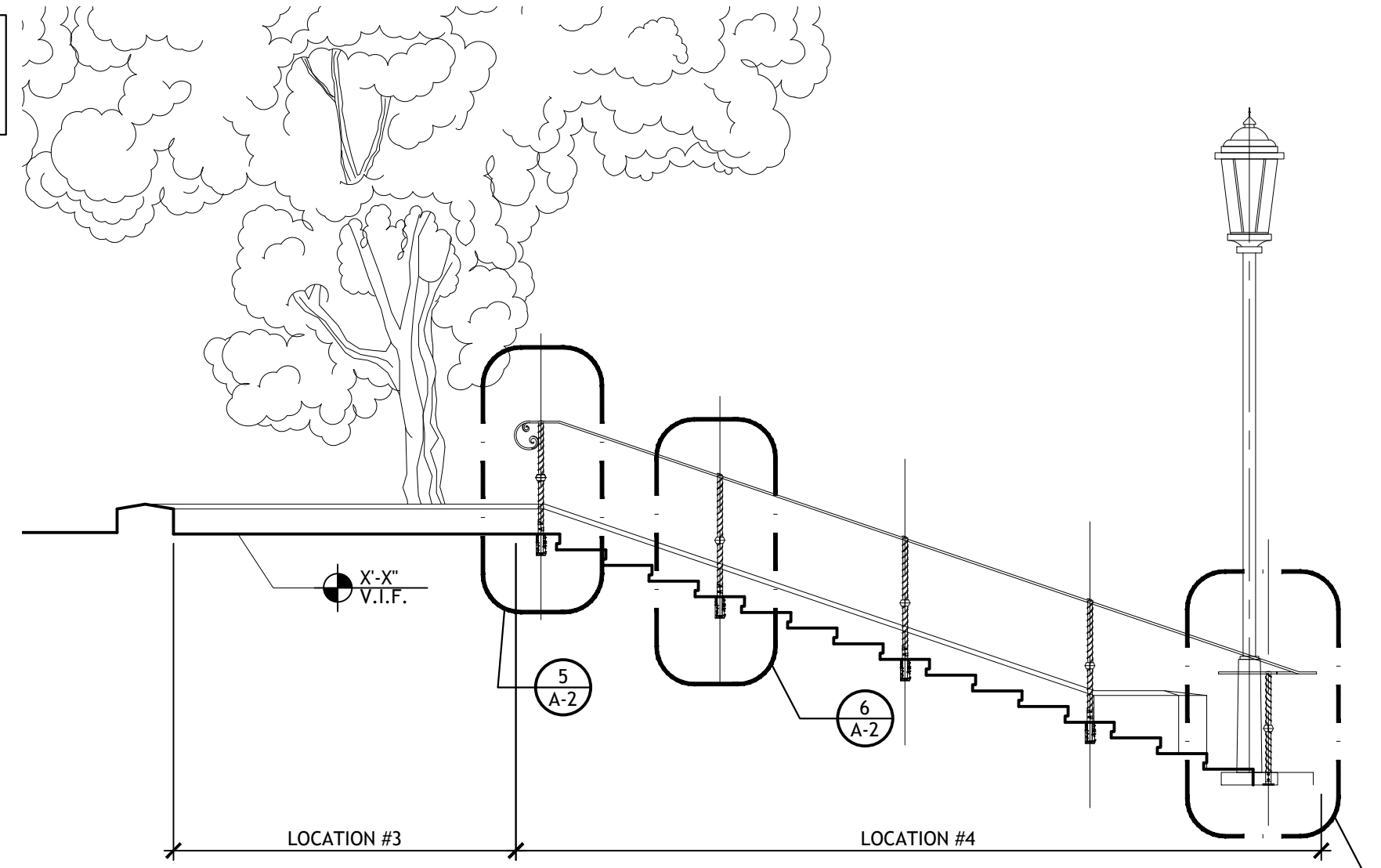
Professional Stamp

Project Name CATHEDRAL OF LEARNING SITE WORK	Job No. X6959
Issue Date 06/08/20	
Drawing Description LOCATION #1,#2 EXISTING PHOTOS, PROPOSED PLANS, ELEVATIONS, DETAILS BID SET	
CAD File Name	Drawn By
Drawing Number 11115	Set Order 4 of 9

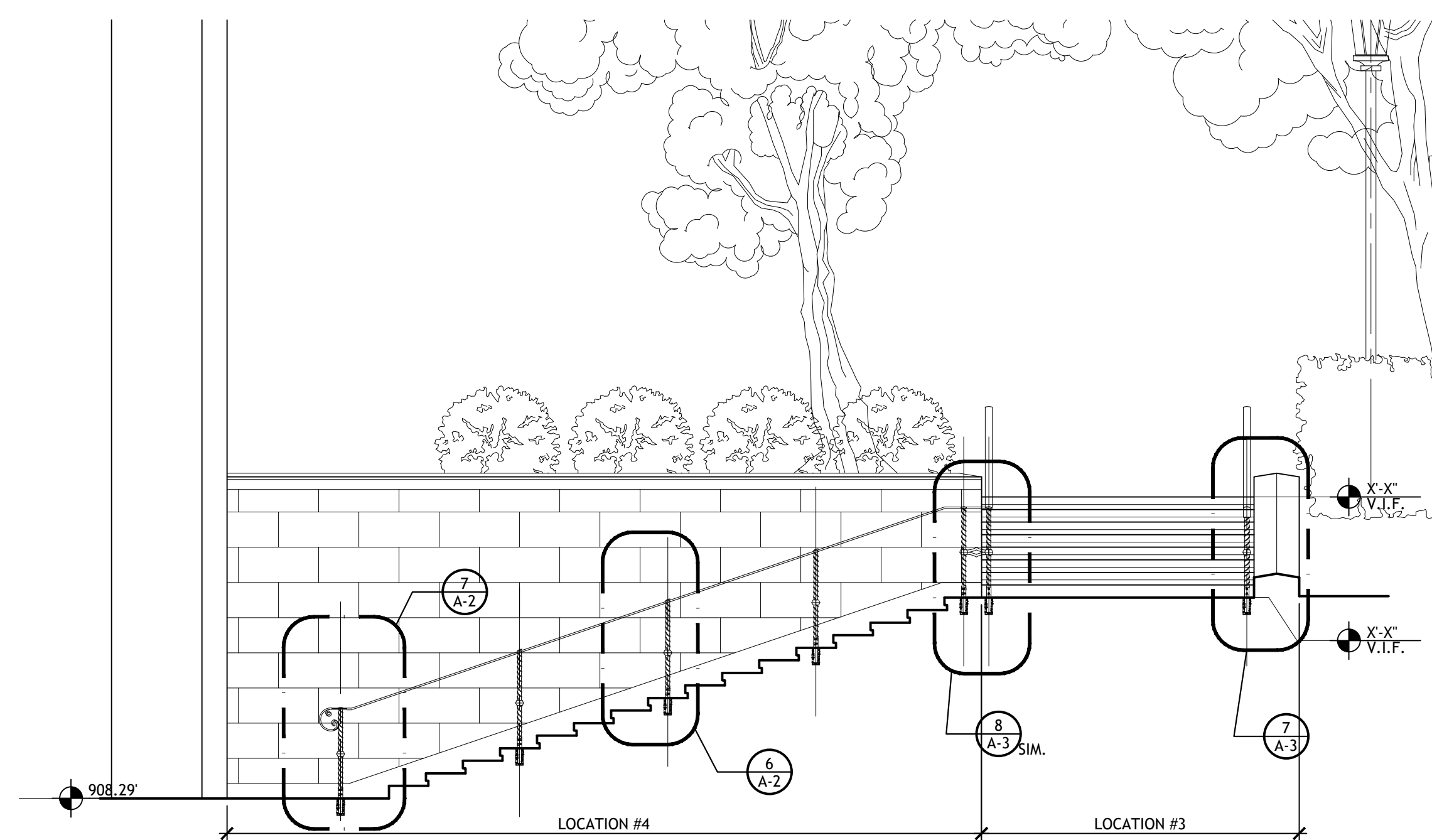
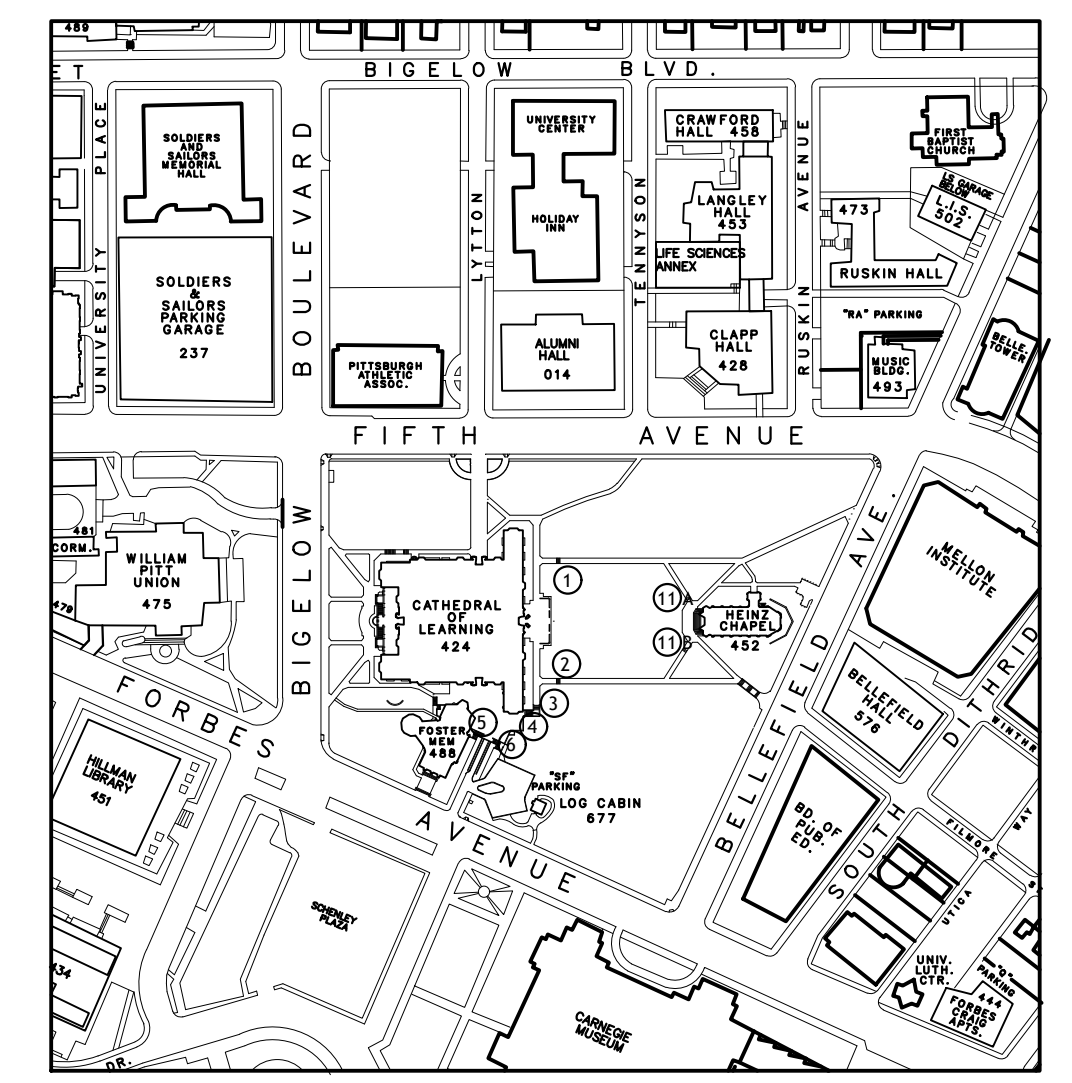
REVISIONS		
No	By	Date



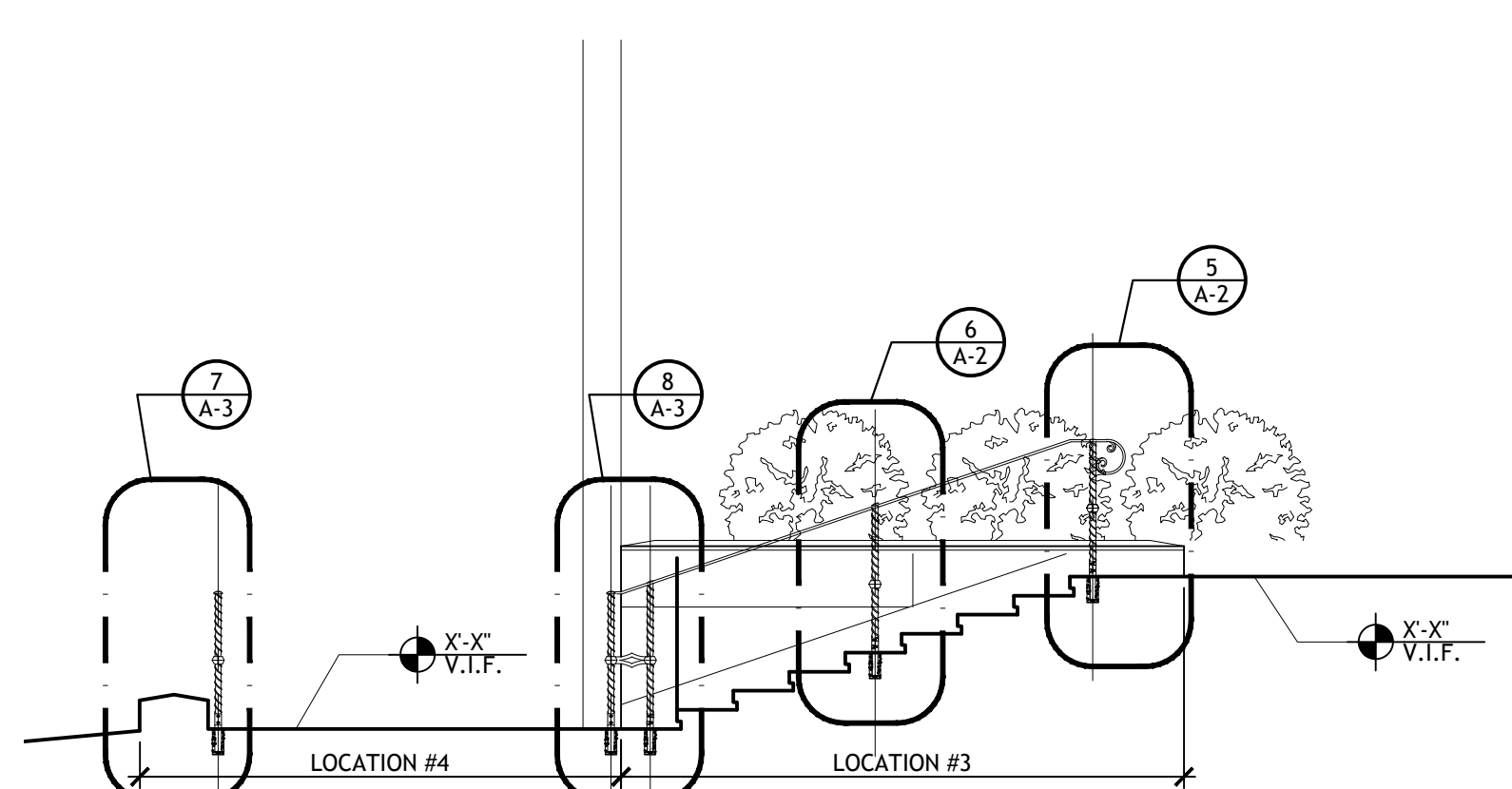
1 PLAN - LOCATION #3 & #4
SCALE: 1/4"=1'-0"



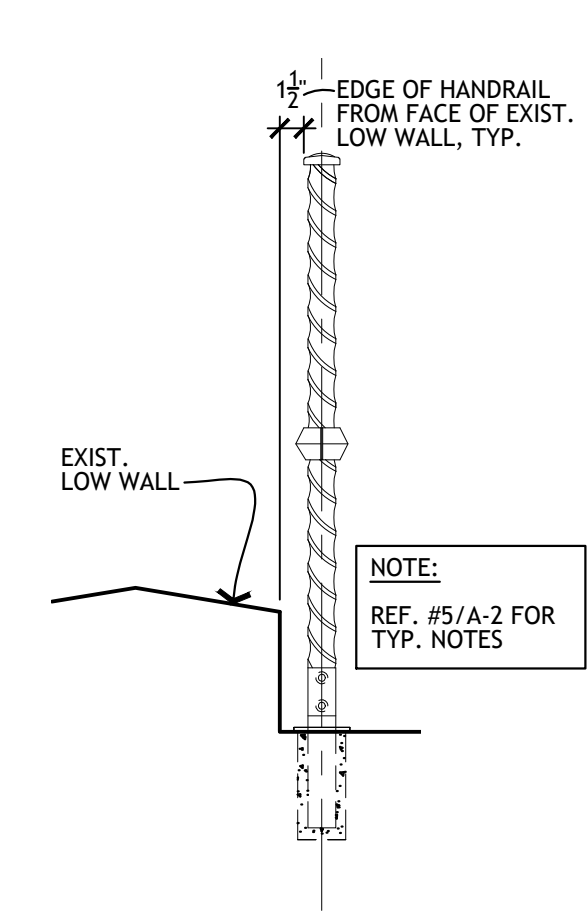
3 SECTION - LOCATION #4
SCALE: 1/4"=1'-0"



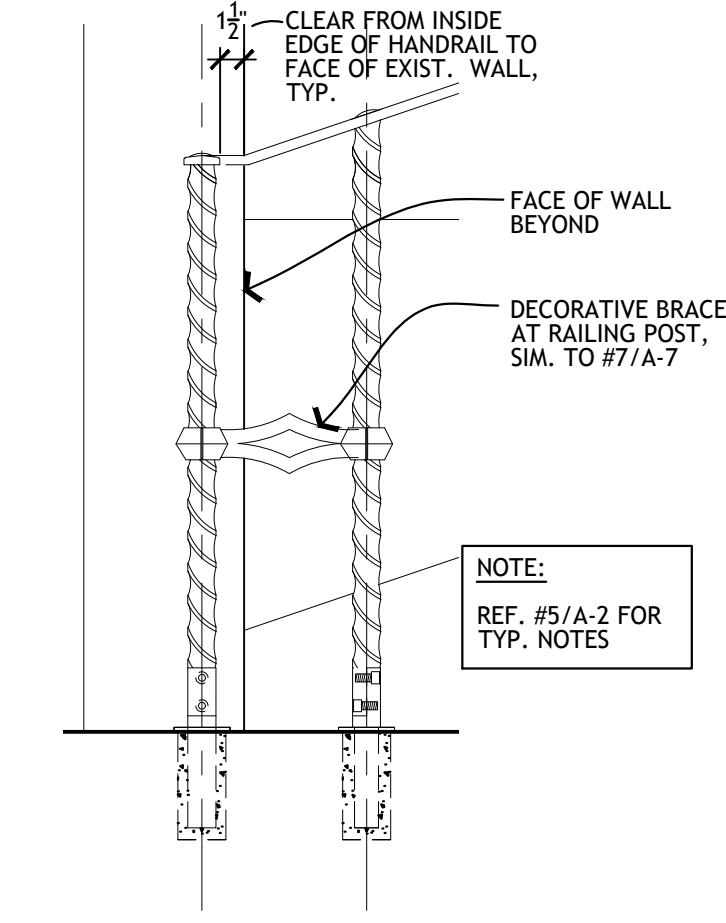
2 SECTION - LOCATION #3 & #4
SCALE: 1/4"=1'-0"



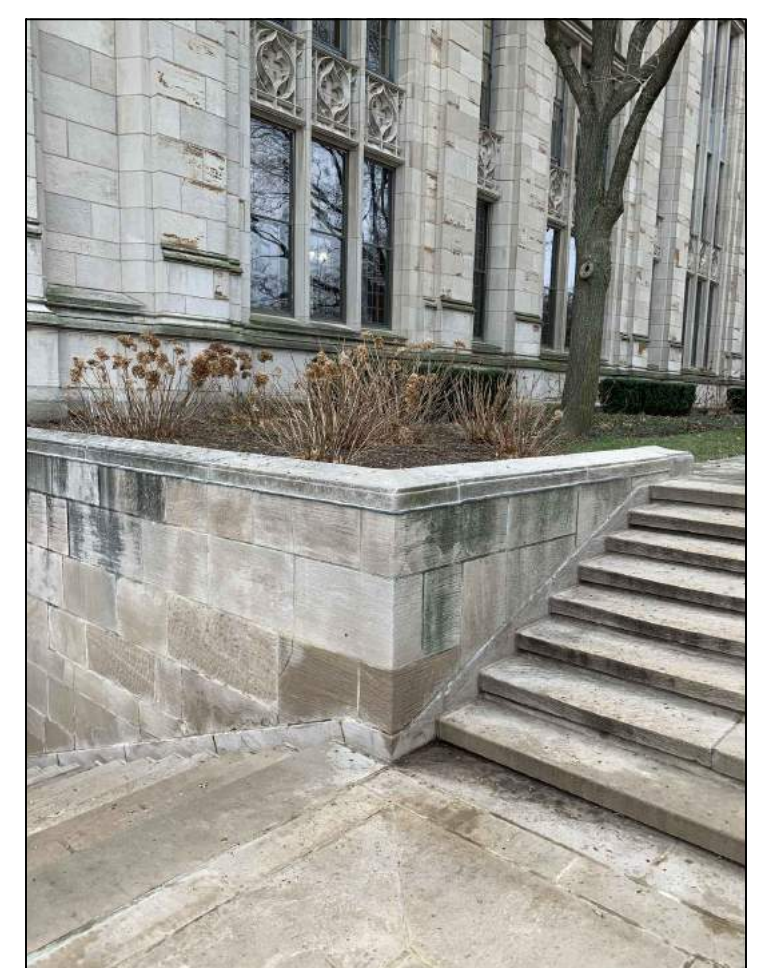
4 SECTION - LOCATION #3 & #4
SCALE: 1/4"=1'-0"



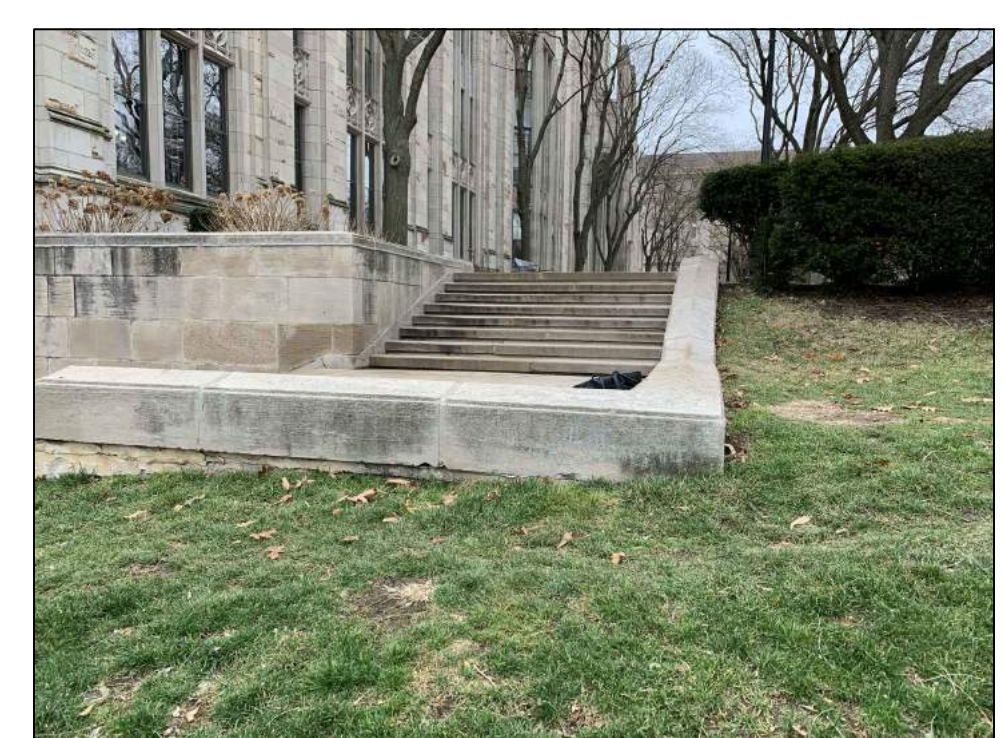
7 ELEVATION DETAIL
SCALE: 1"=1'-0"



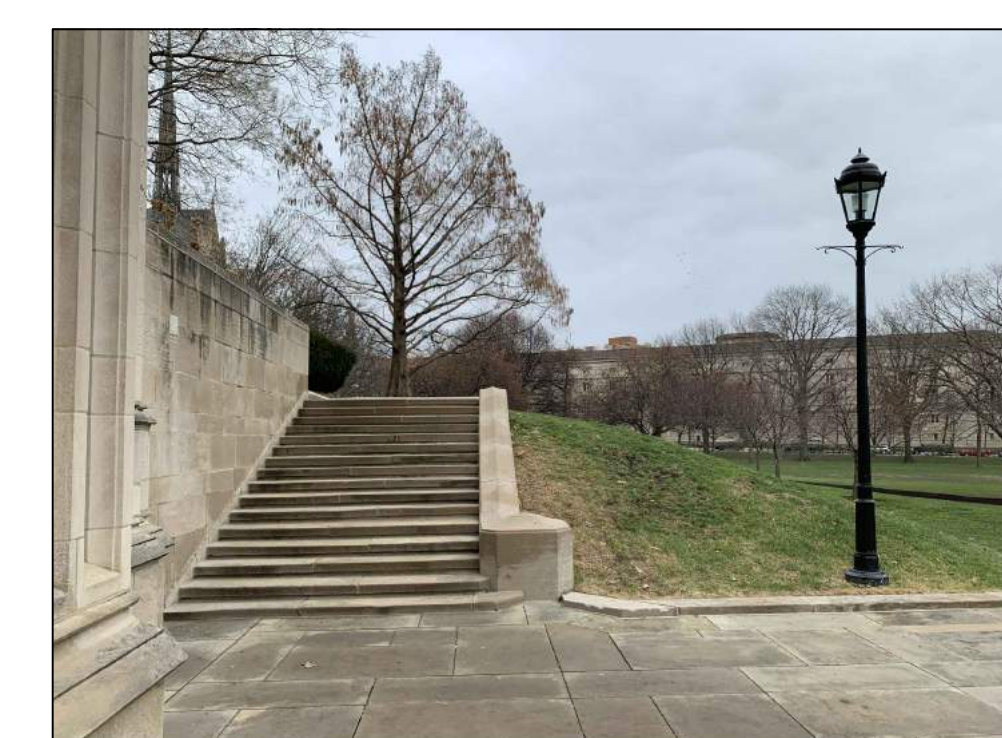
8 ELEVATION DETAIL
SCALE: 1"=1'-0"




5 PHOTOS - LOCATION #3
SCALE: N.T.S.



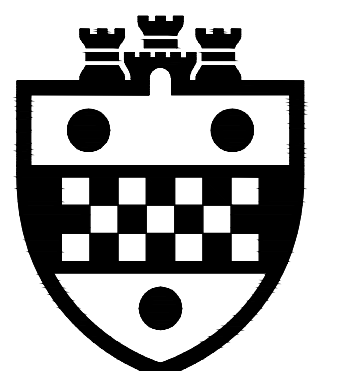
6 PHOTOS - LOCATION #4
SCALE: N.T.S.





Margittal Architects
2710 Smith Street
Pittsburgh, PA 15203
T 412 488 5809
F 412 488 5873
www.margittal.com

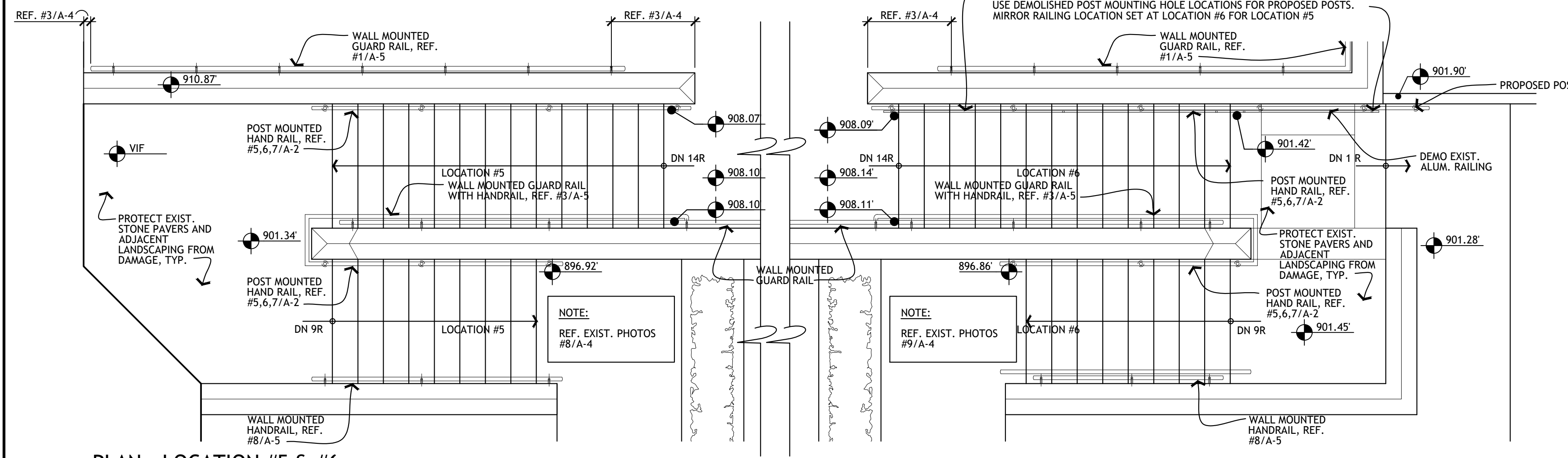
University of Pittsburgh
Facilities Management



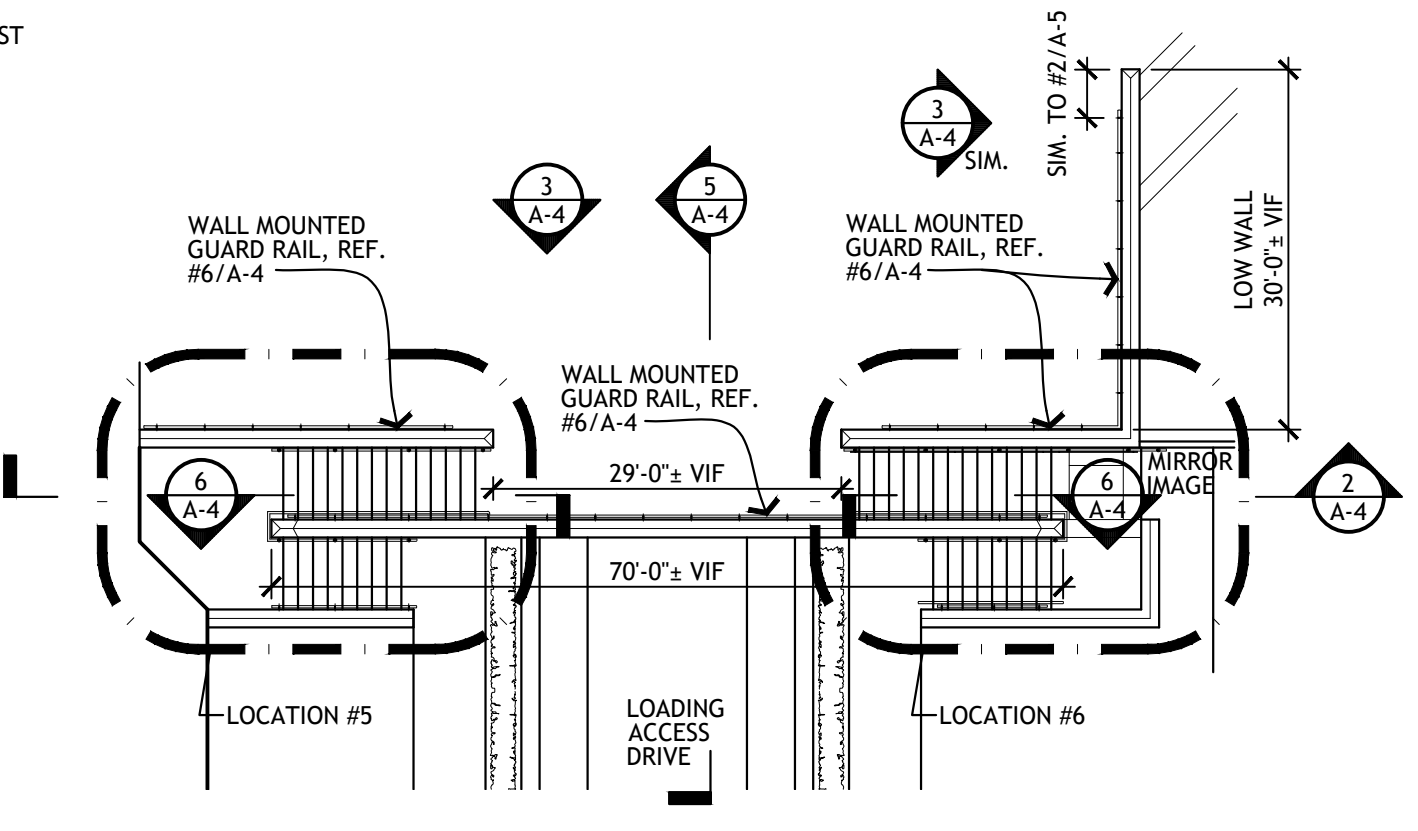
Professional Stamp

Project Name CATHEDRAL OF LEARNING SITE WORK	Job No. X6959
Issue Date 06/08/20	
Drawing Description LOCATION #3,#4 EXISTING PHOTOS, PROPOSED PLANS, ELEVATIONS, DETAILS BID SET	
CAD File Name	Drawn By
Drawing Number 11115	Set Order A-3 5 of 9

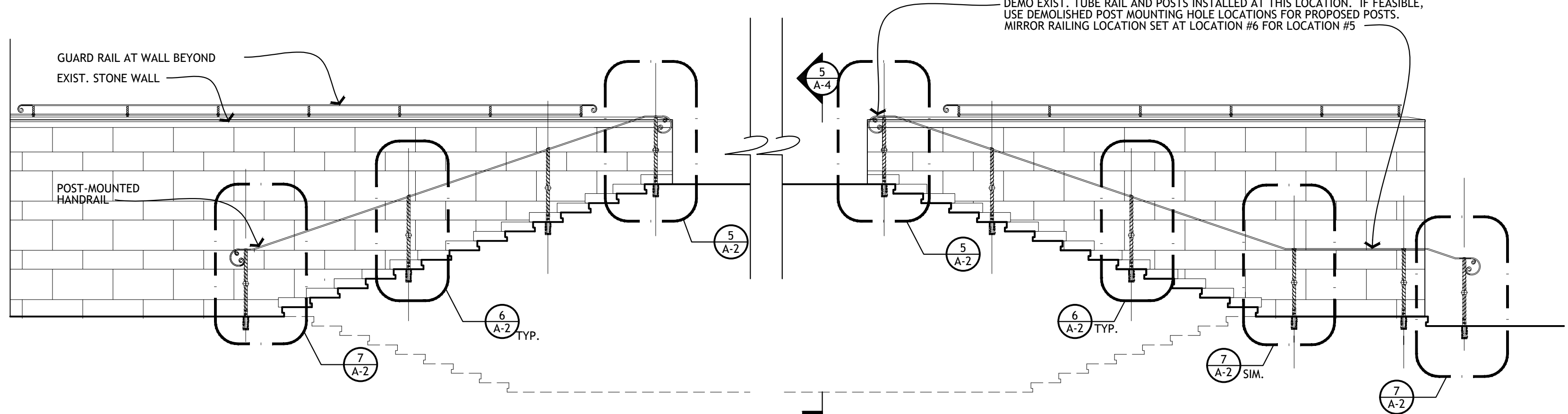
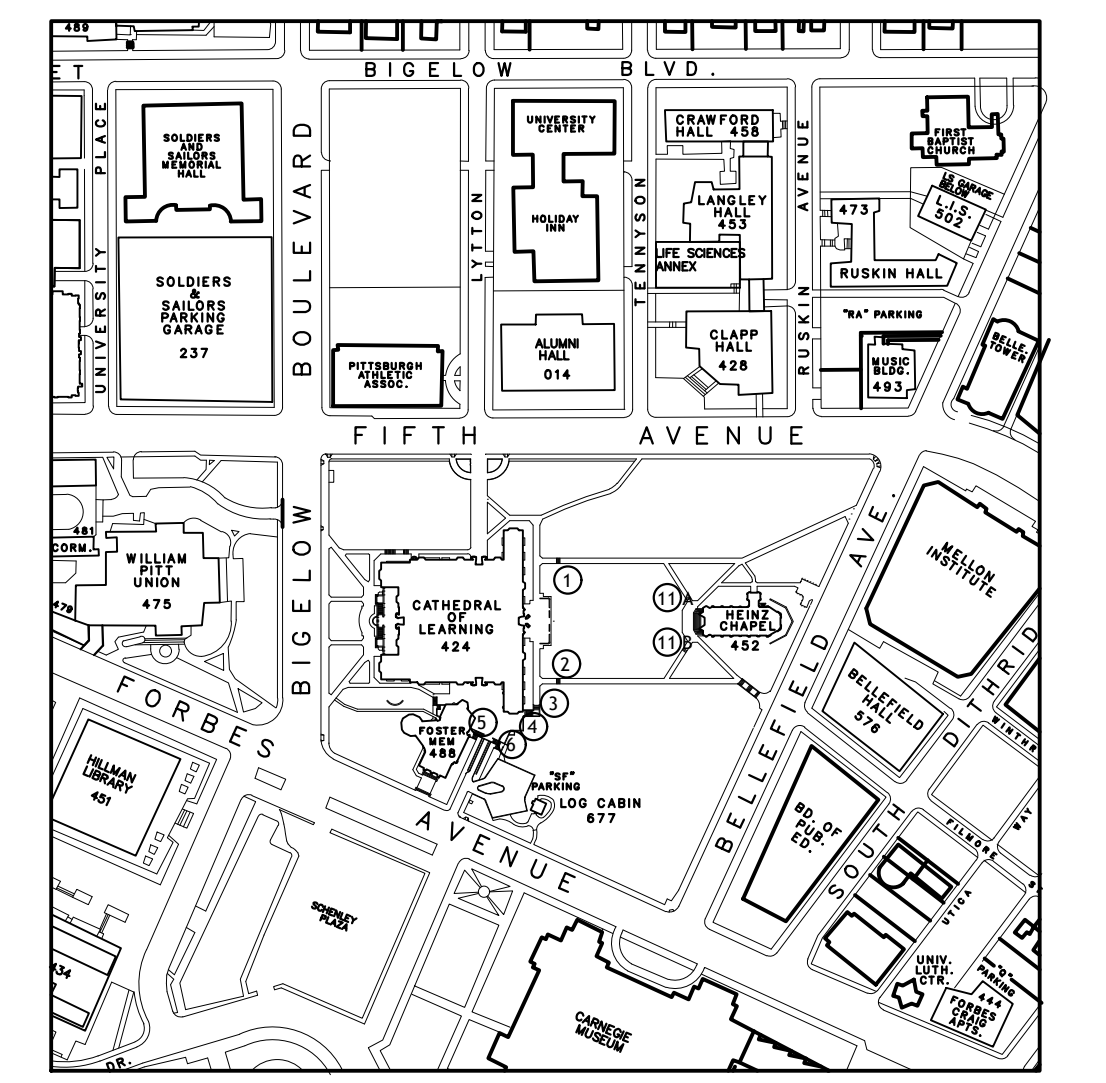
REVISIONS		
No	By	Date



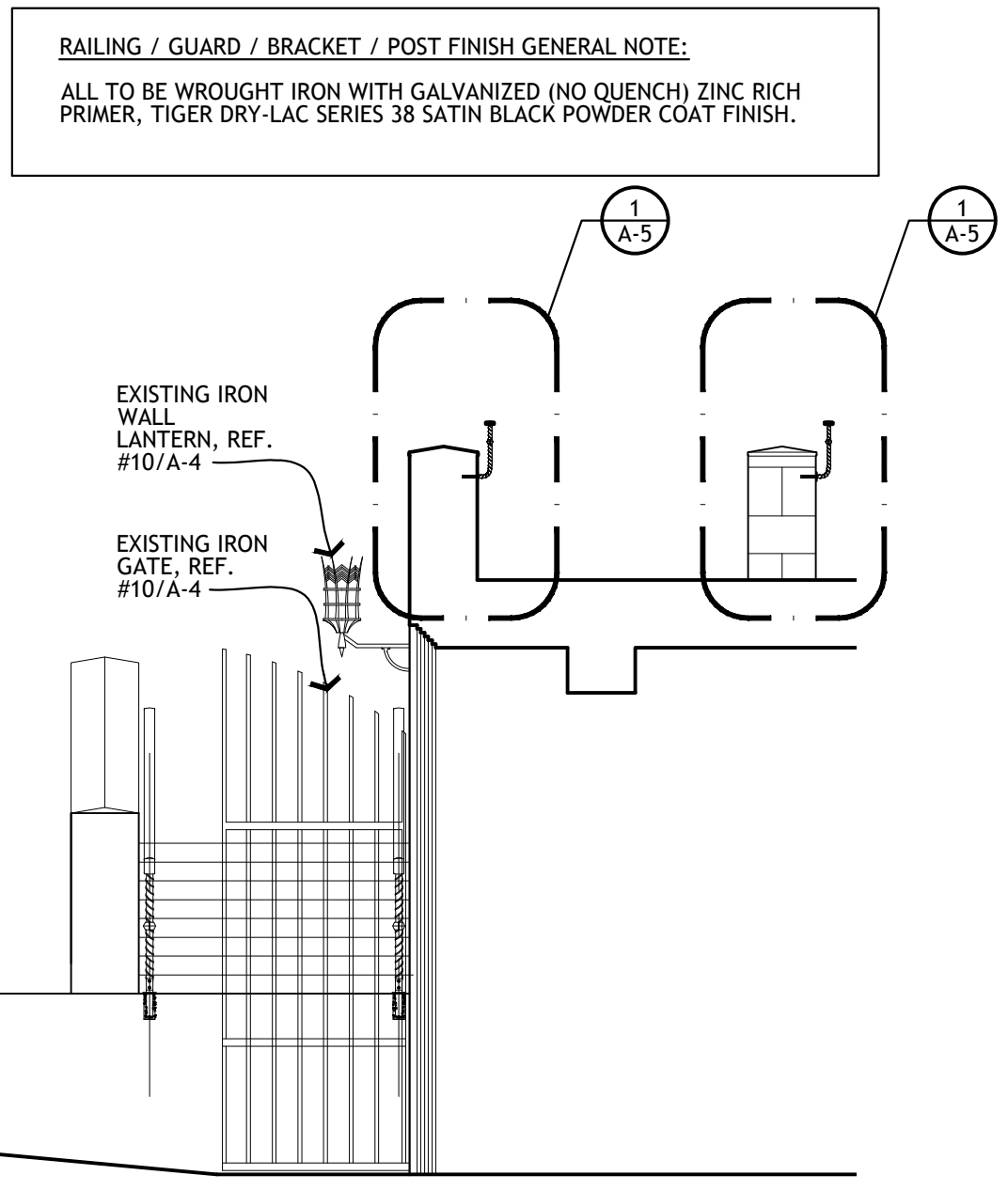
1 PLAN - LOCATION #5 & #6
SCALE: 1/4"=1'-0"



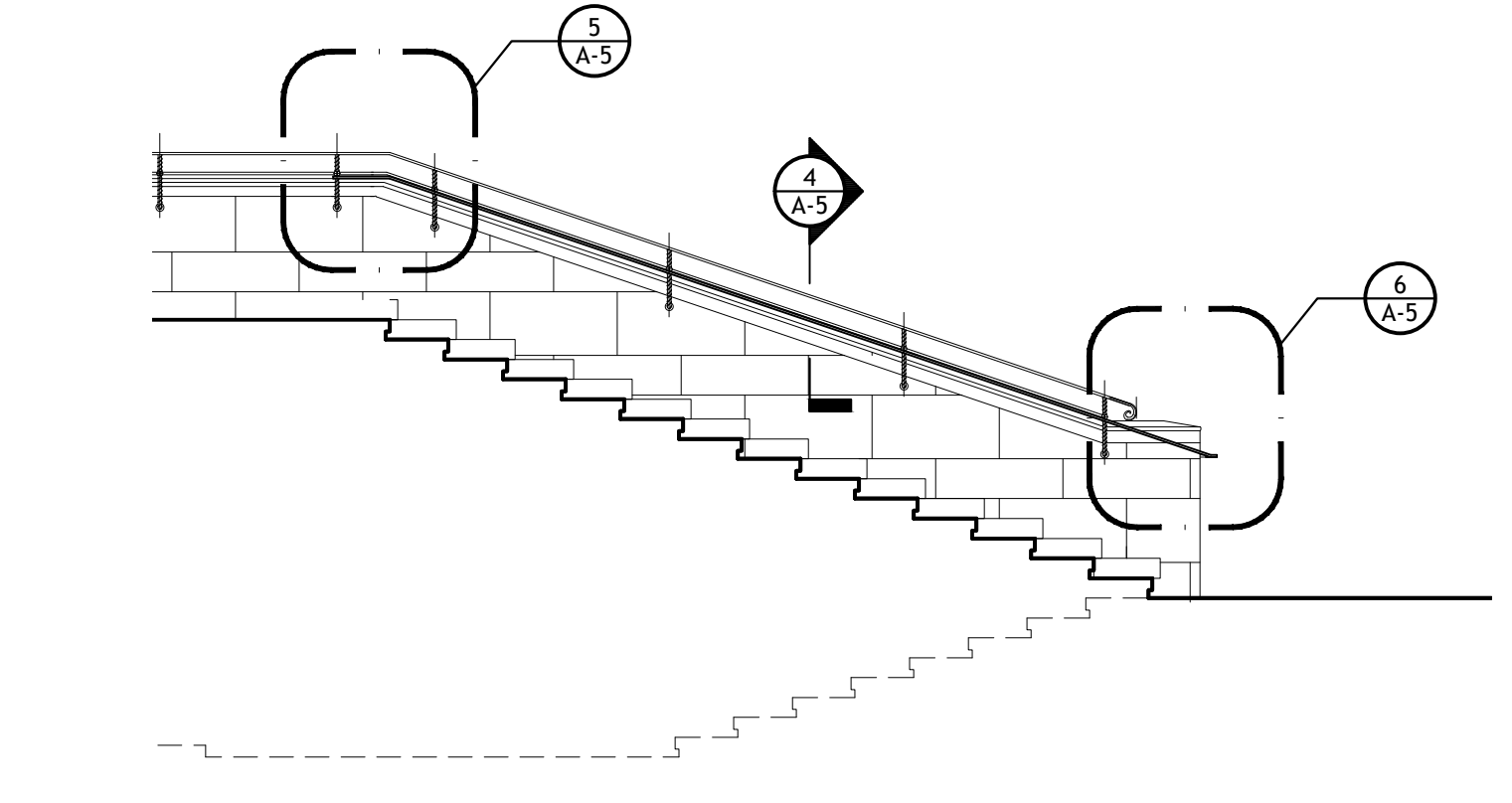
4 REFERENCE PLAN - LOCATION #5 & #6
SCALE: 1/16"=1'-0"



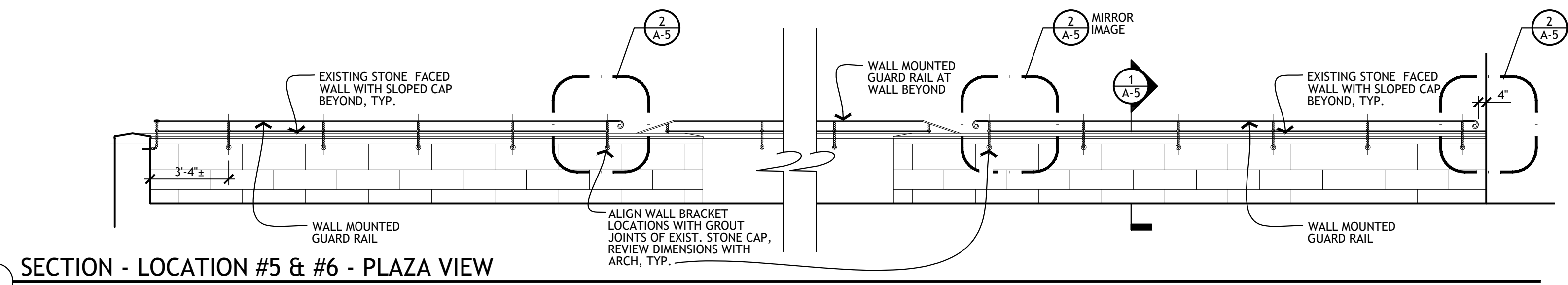
2 SECTION - LOCATION #5 & #6
SCALE: 1/4"=1'-0"



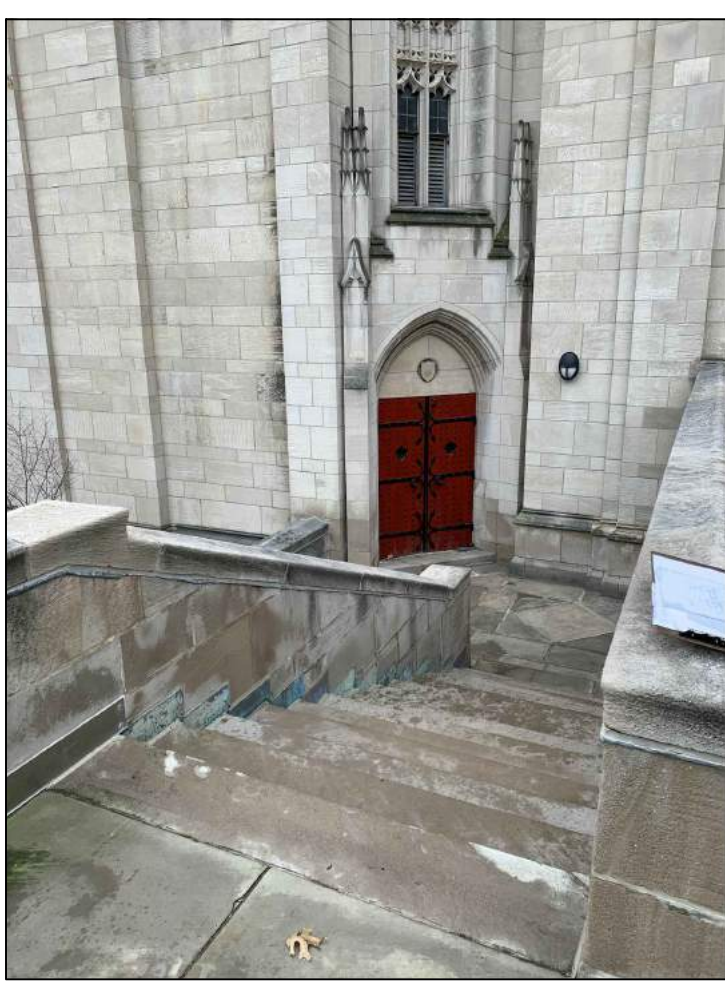
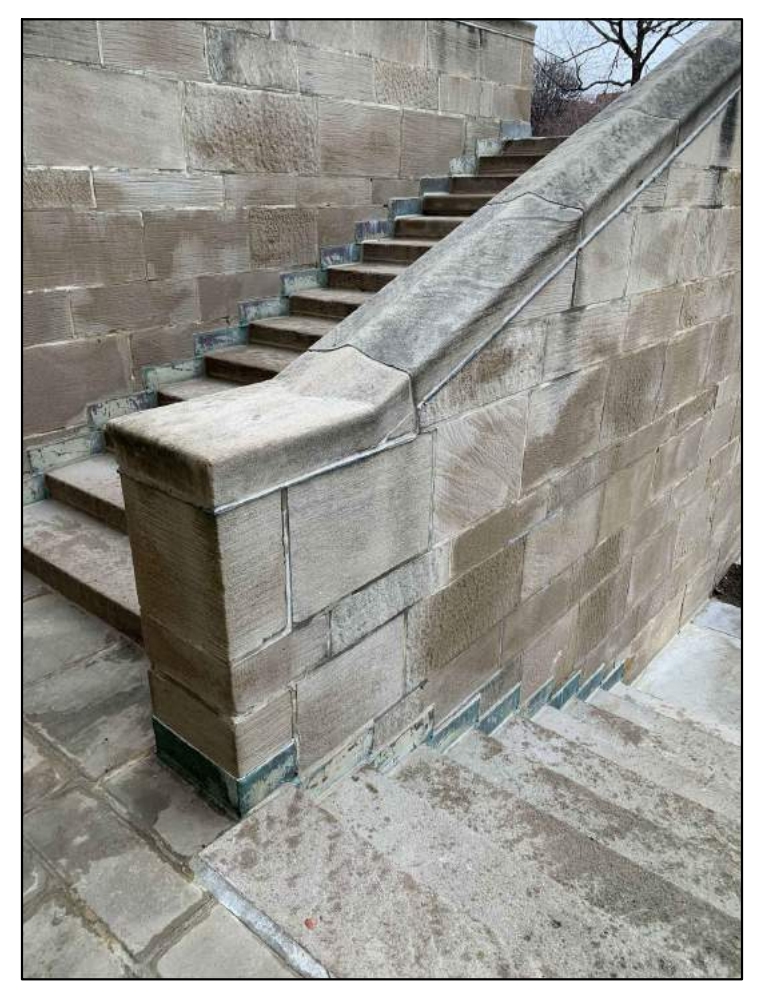
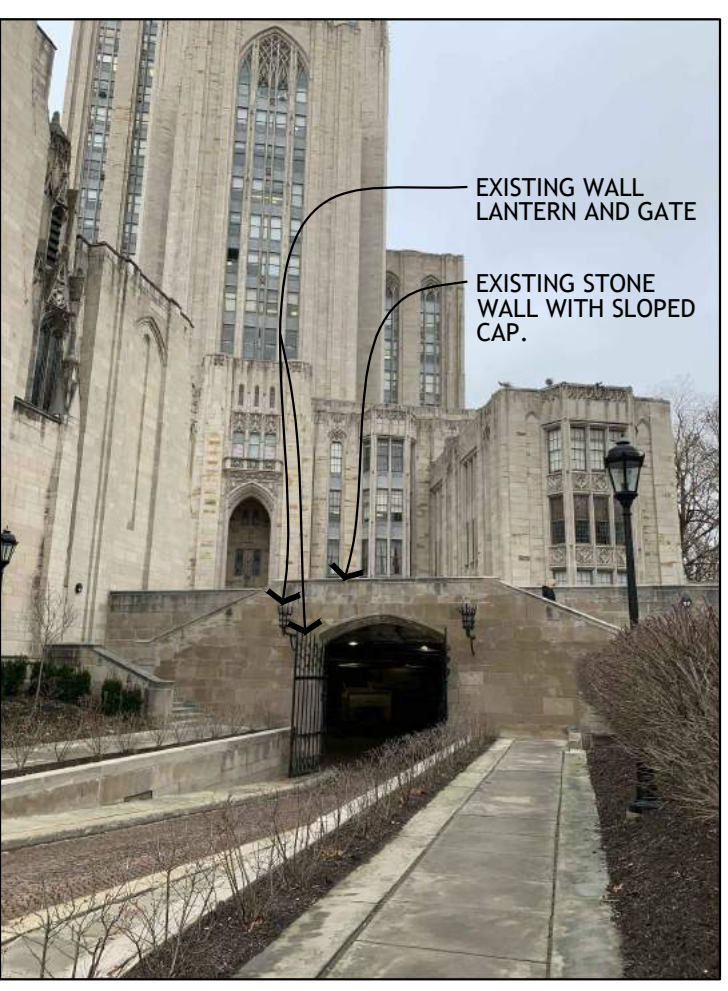
5 SECTION - LOCATION #5 & #6
SCALE: 1/4"=1'-0"



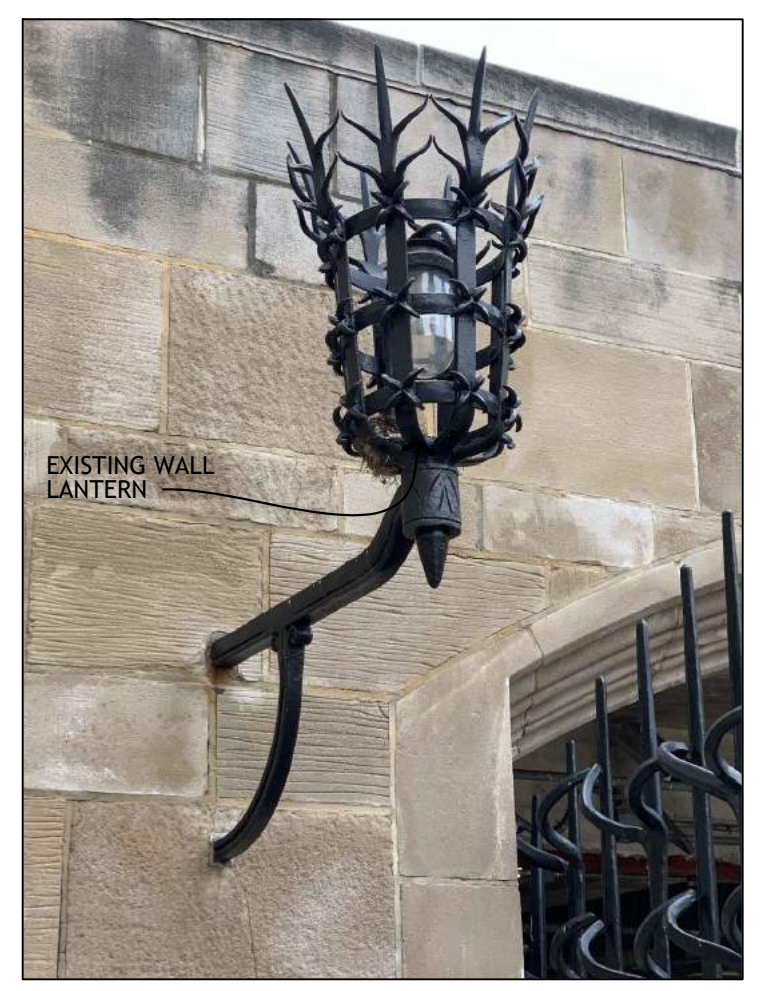
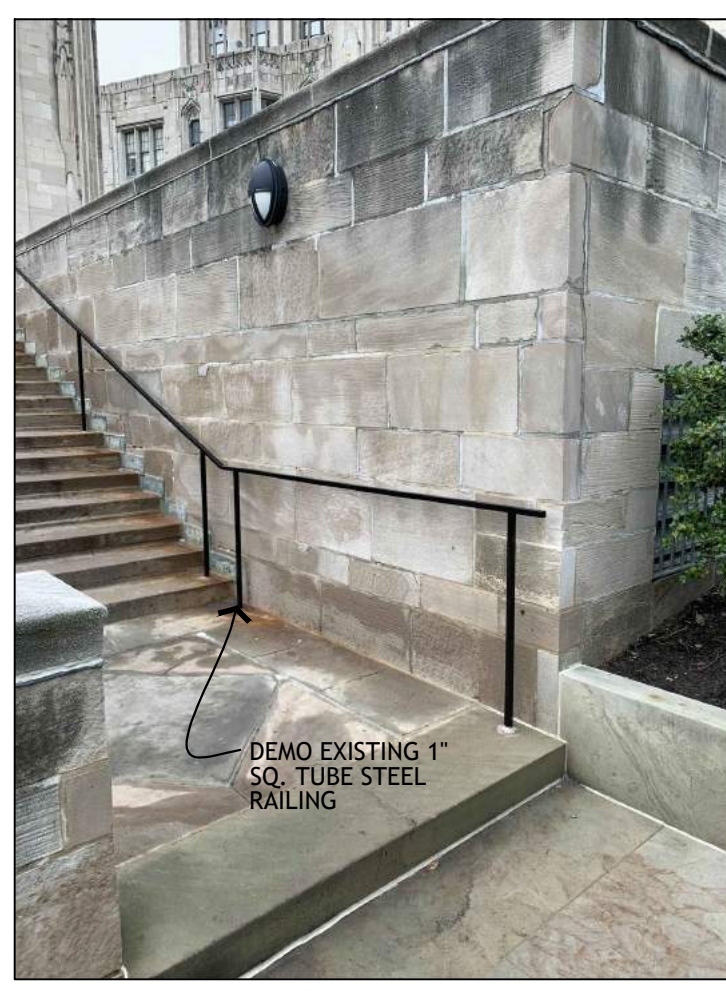
6 SECTION - LOCATION #5 & #6 - PROPOSED
SCALE: 1/4"=1'-0"



3 SECTION - LOCATION #5 & #6 - PLAZA VIEW
SCALE: 1/4"=1'-0"



8 PHOTOS - LOCATION #5
SCALE: N.T.S.



9 PHOTOS - LOCATION #6
SCALE: N.T.S.

10 PHOTOS - LANTERN / GATE
SCALE: N.T.S.

Margittal Architects
2710 Smith Street
Pittsburgh, PA 15203
T 412 488 3809
F 412 488 3873
www.margittal.com

University of Pittsburgh
Facilities Management

Professional Stamp

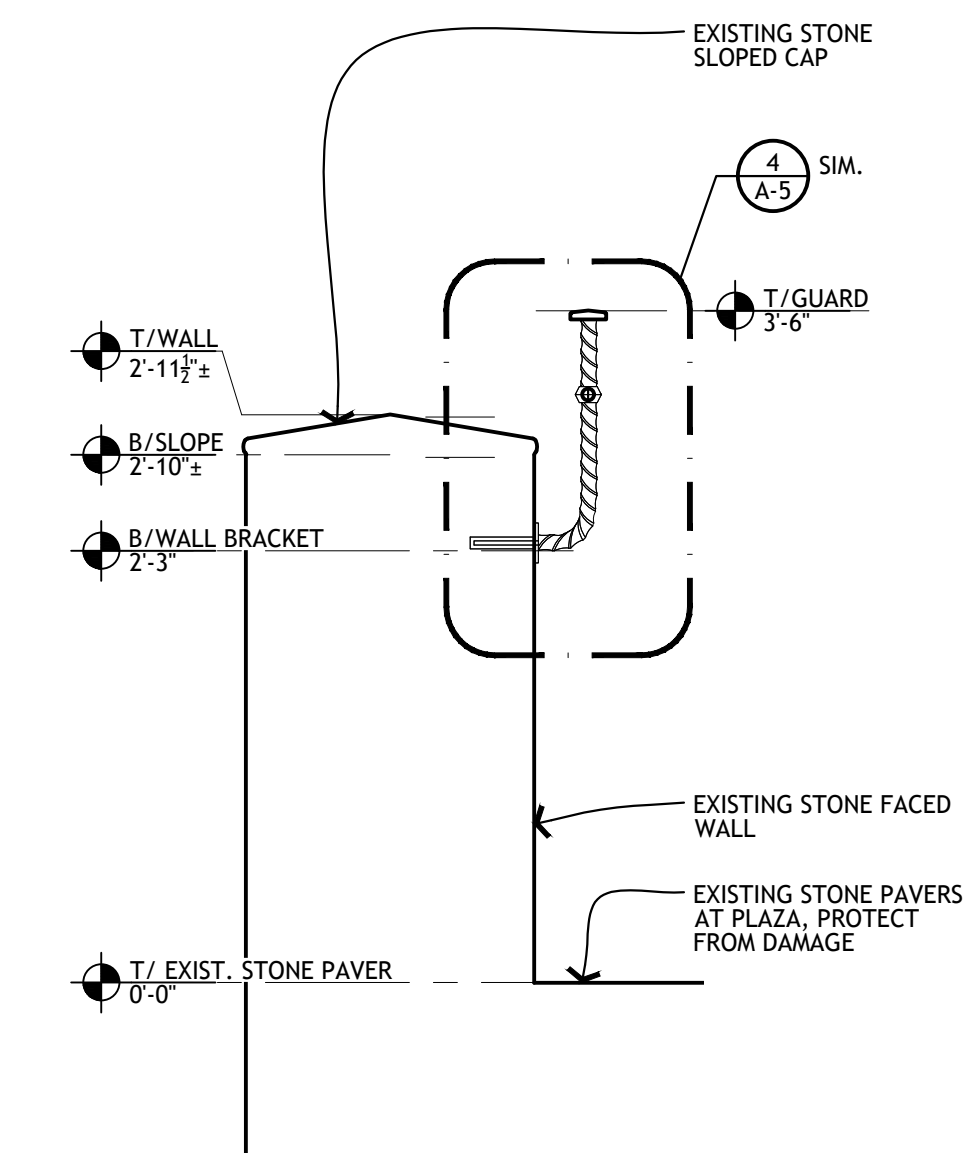
Project Name: CATHEDRAL OF LEARNING SITE WORK
Job No.: X6959
Issue Date: 06/08/20

Drawing Description: LOCATION #5,#6 EXISTING PHOTOS, PROPOSED PLANS, ELEVATIONS, DETAILS BID SET

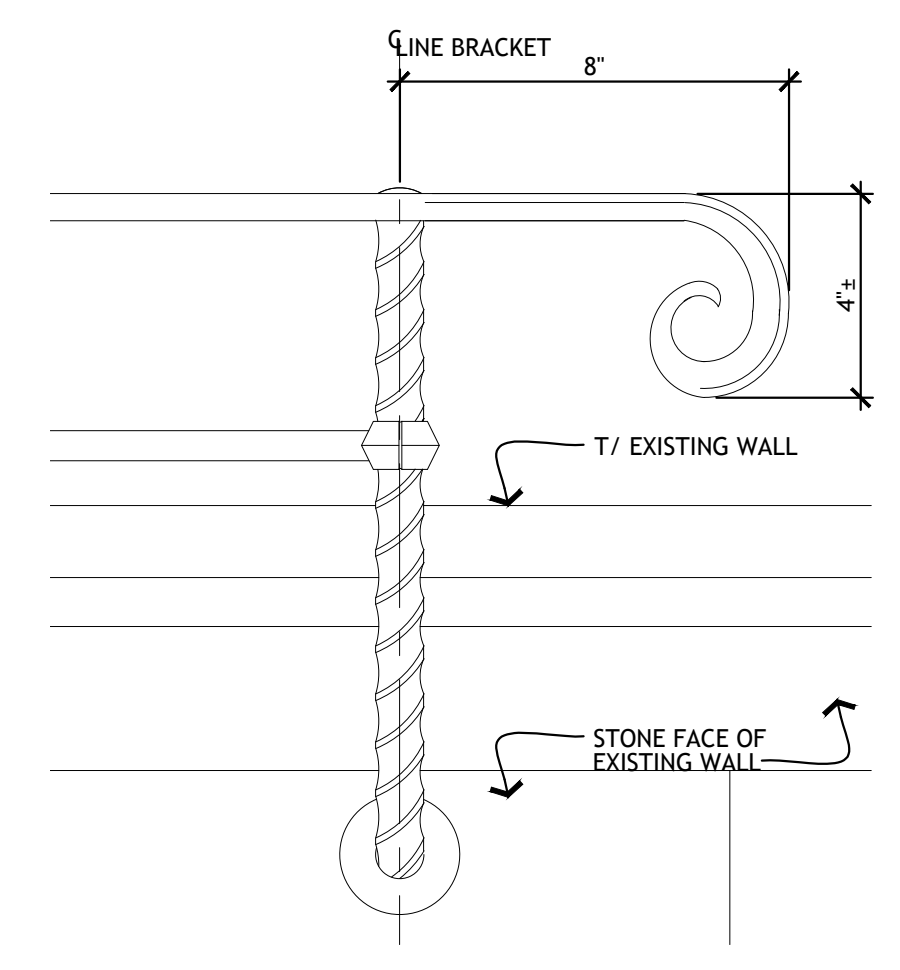
CAD File Name: [blank] Drawn By: [blank]

Drawing Number: 11115 Set Order: A-4 6 of 9

REVISIONS		
No	By	Date

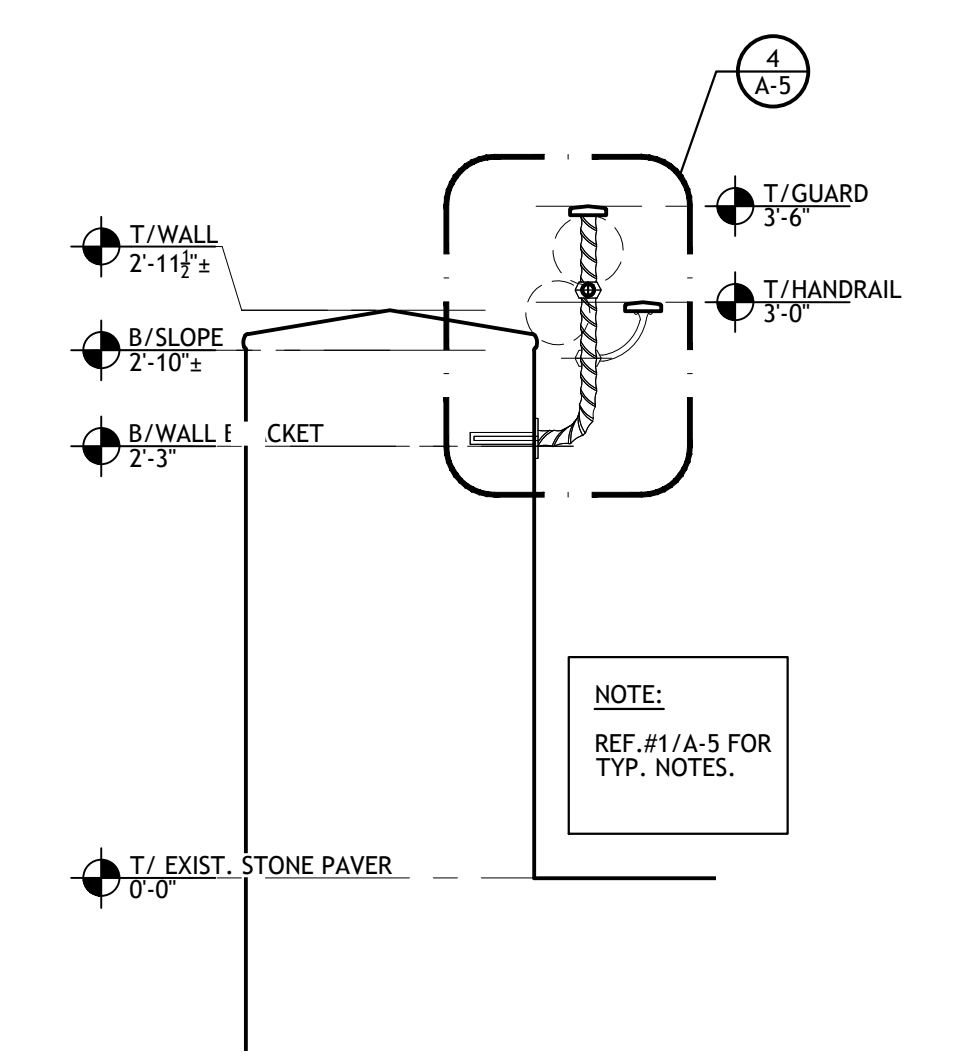
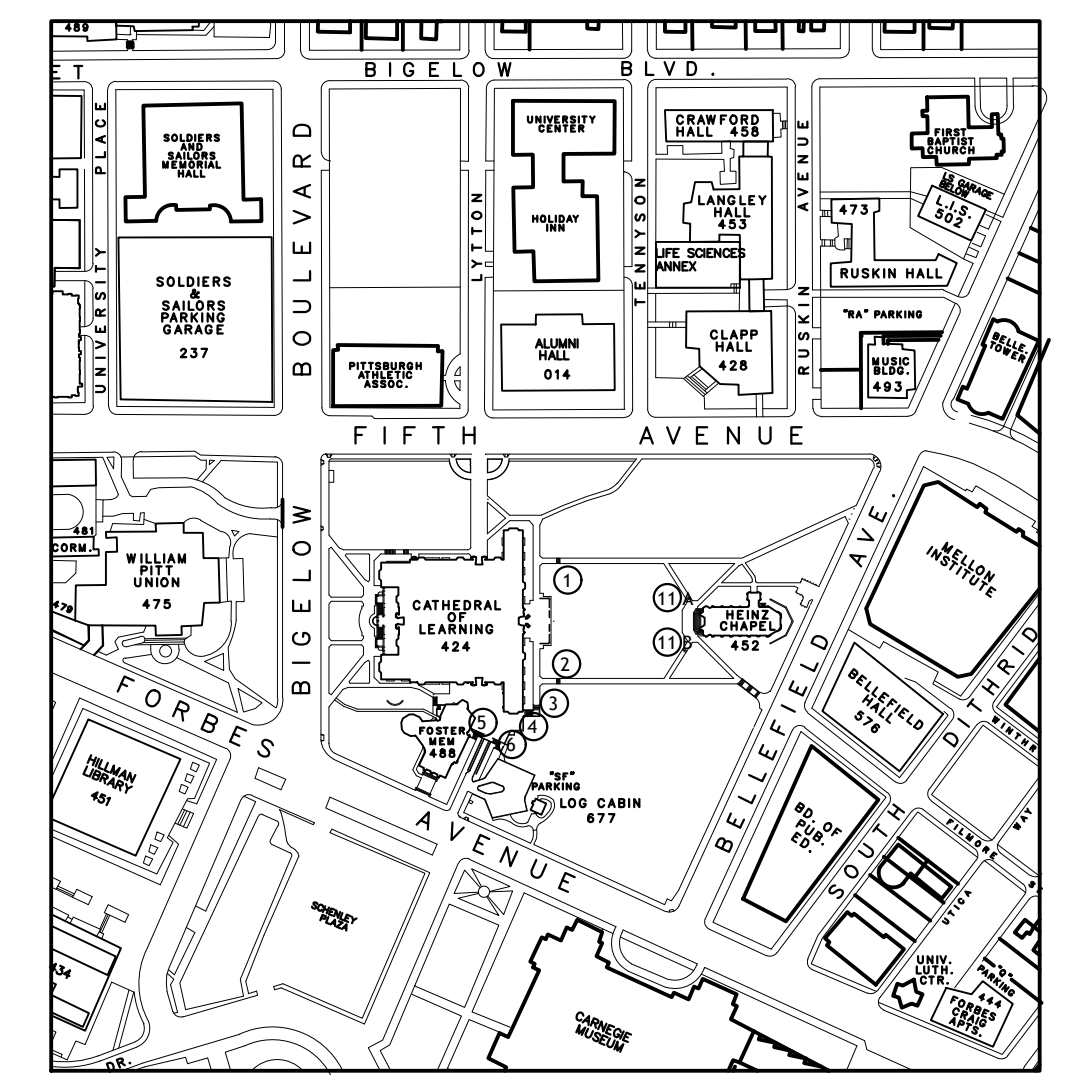


1 SECTION DETAIL
SCALE: 1"=1'-0"
WALL MOUNTED 42H GUARD ONLY

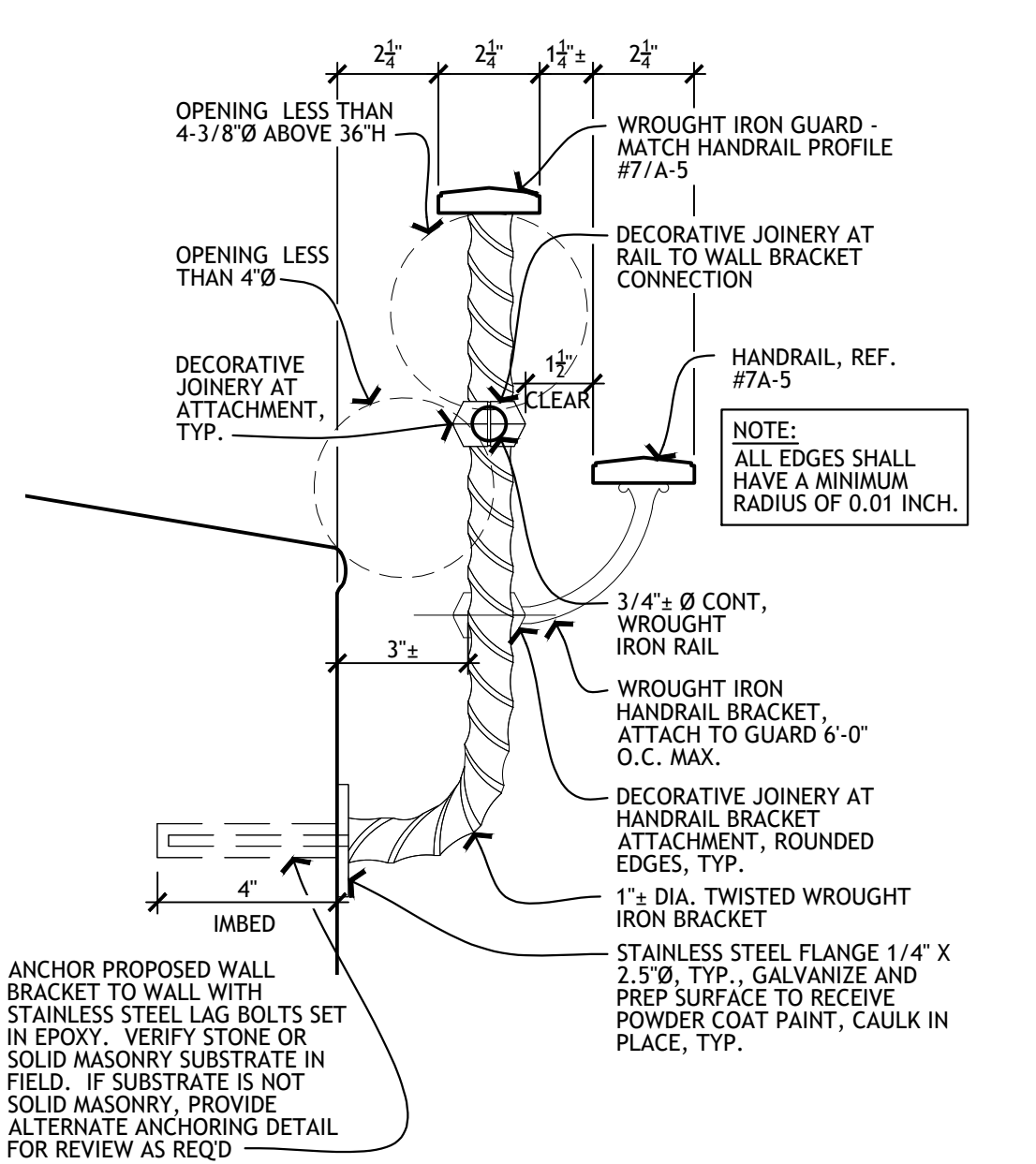


2 ELEVATION DETAIL
SCALE: 3"=1'-0"
WALL MOUNTED 42H GUARD ONLY

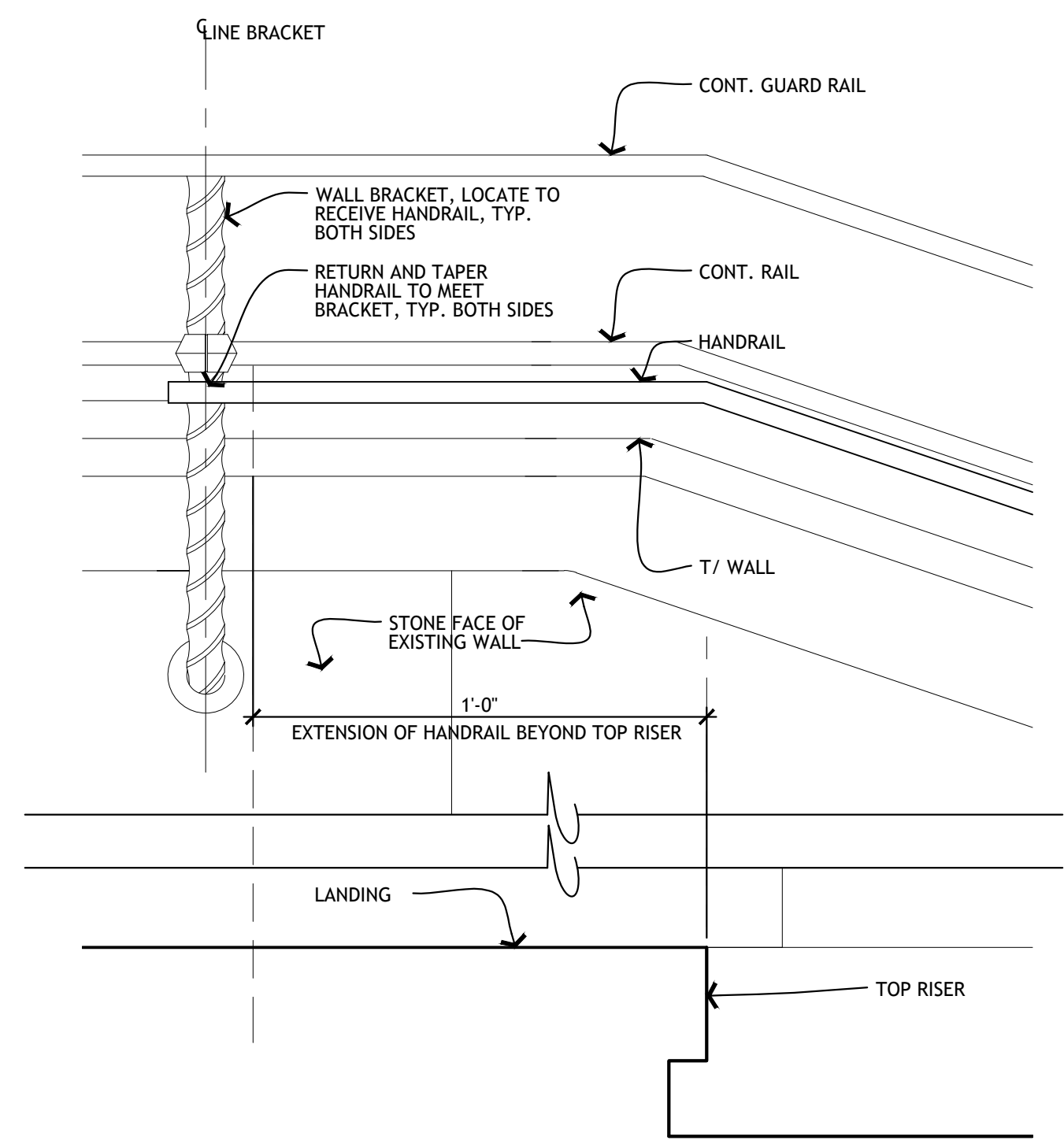
NOTE:
REF. GENERAL NOTES ON COVER SHEET FOR PRODUCT INFORMATION, FINISHES AND STRUCTURAL REQUIREMENTS.



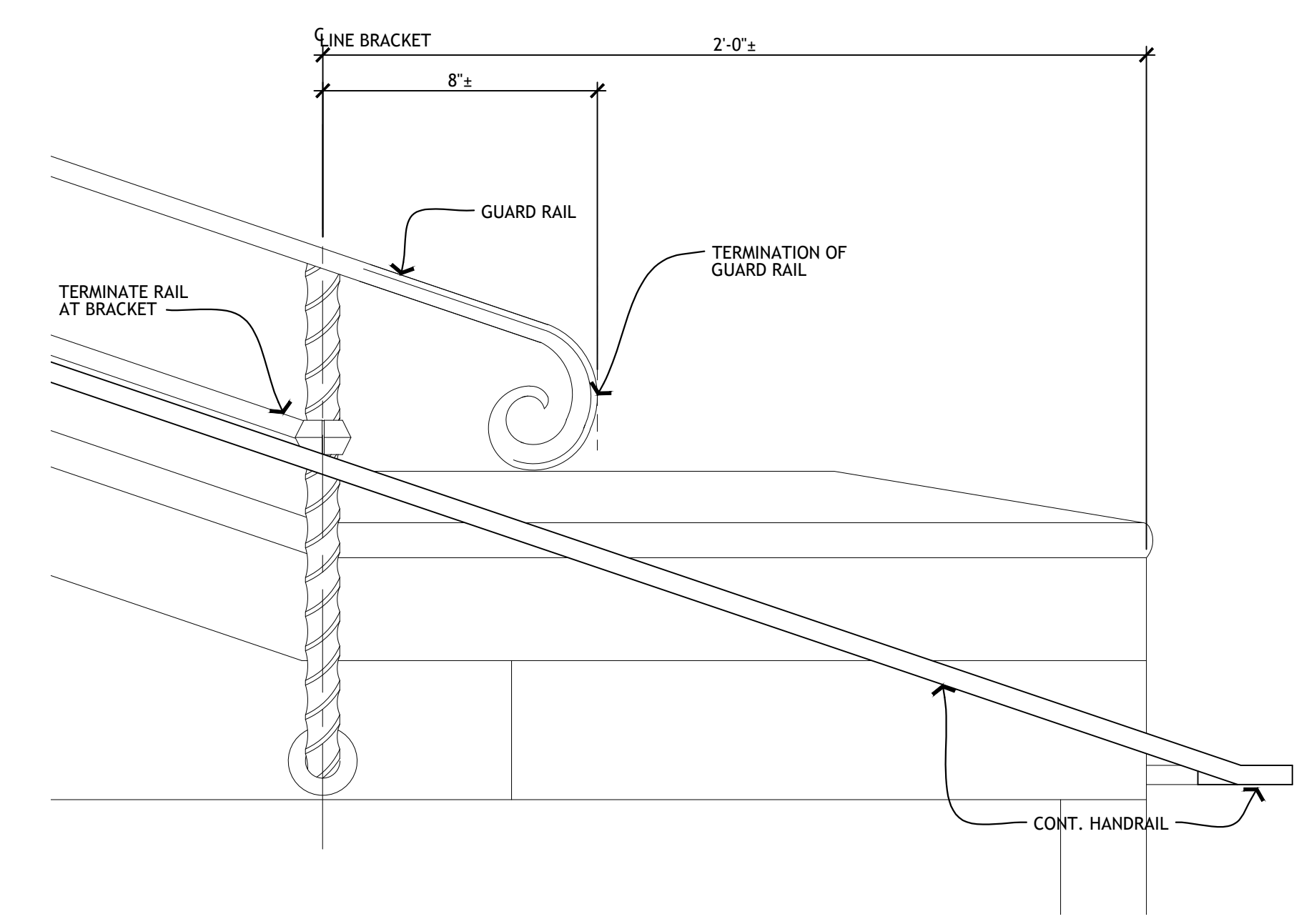
3 SECTION DETAIL
SCALE: 1"=1'-0"
WALL MOUNTED 42H GUARD WITH 36H HANDRAIL



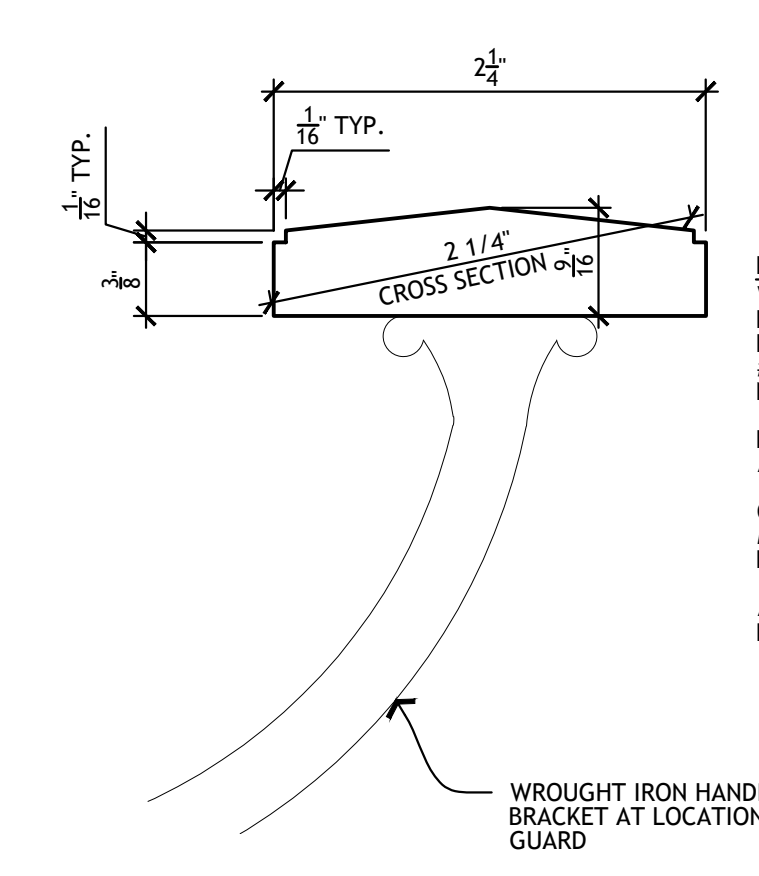
4 SECTION DETAIL
SCALE: 3"=1'-0"



5 ELEVATION DETAIL
SCALE: 3"=1'-0"
CONT. WALL MOUNTED 42H GUARD 36H HANDRAIL TERMINATION AT TOP OF RUN

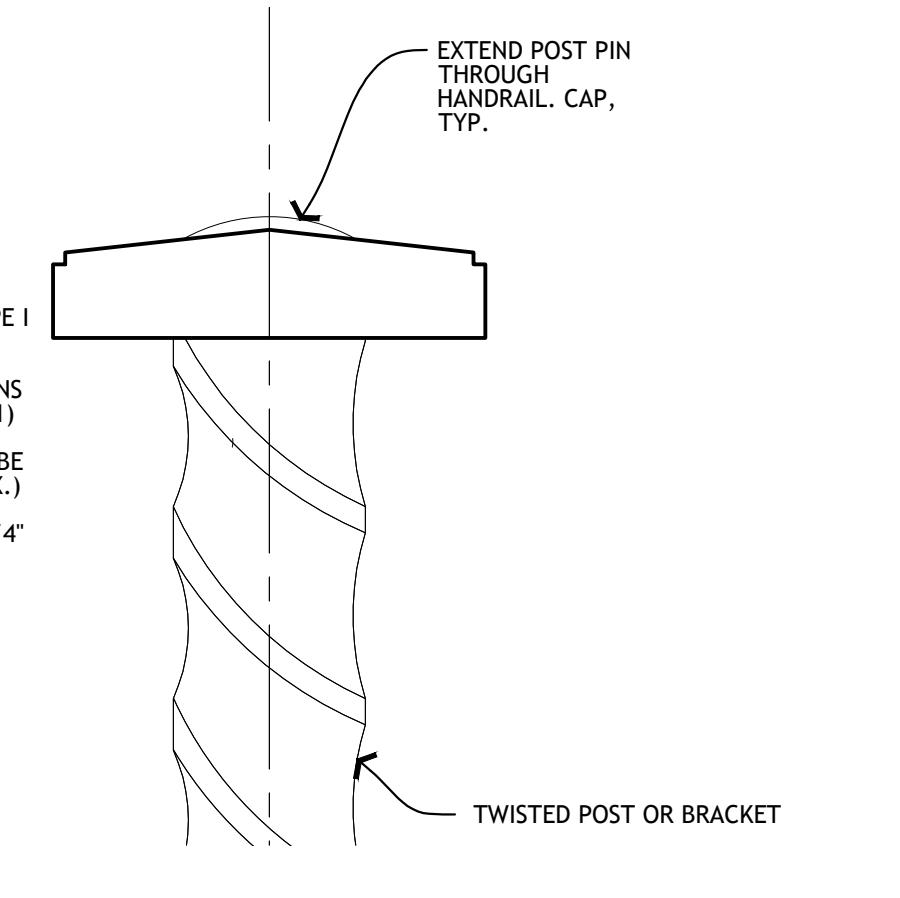


6 ELEVATION DETAIL
SCALE: 3"=1'-0"
WALL MOUNTED 42H GUARD TERMINATION CONT. 36H HANDRAIL



HANDRAIL: WROUGHT IRON "NON-CIRCULAR" TYPE I HANDRAIL TO MATCH PROFILE OF EXISTING HANDRAIL - REF. PHOTOS #7, #8/A-7 (WITH MODIFIED DIMENSIONS NOTED AS REQ'D BY IBC 2015 1014.3.1)
HANDRAIL PERIMETER DIMENSION TO BE APPX. 5-3/8" (4" MIN. AND 6 1/4" MAX.)
CROSS-SECTIONAL DIMENSION OF 2 1/4" MAX. AND MINIMUM CROSS-SECTION DIMENSION OF 1".
ALL EDGES SHALL HAVE A MINIMUM RADIUS OF 0.01 INCH.

7 SECTION DETAIL
SCALE: FULL
TYP. HANDRAIL / GUARDRAIL PROFILE



8 SECTION DETAIL
SCALE: 1"=1'-0"
WALL-MOUNTED HANDRAIL (NO GUARD)

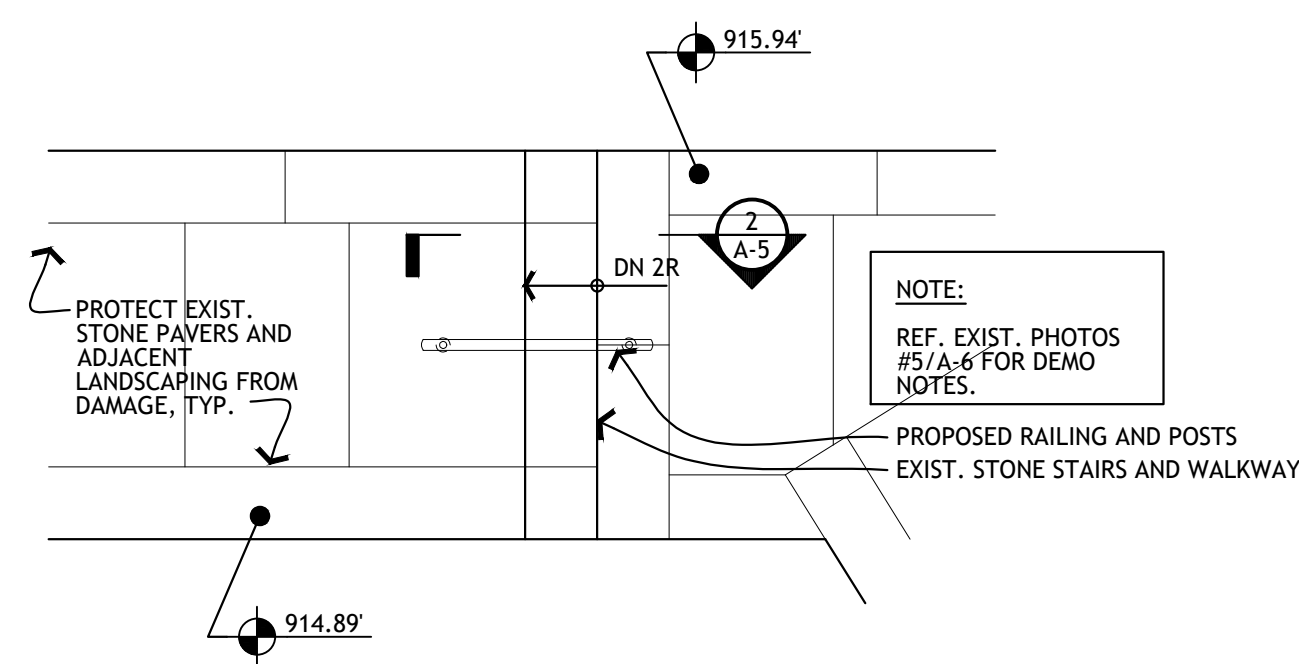
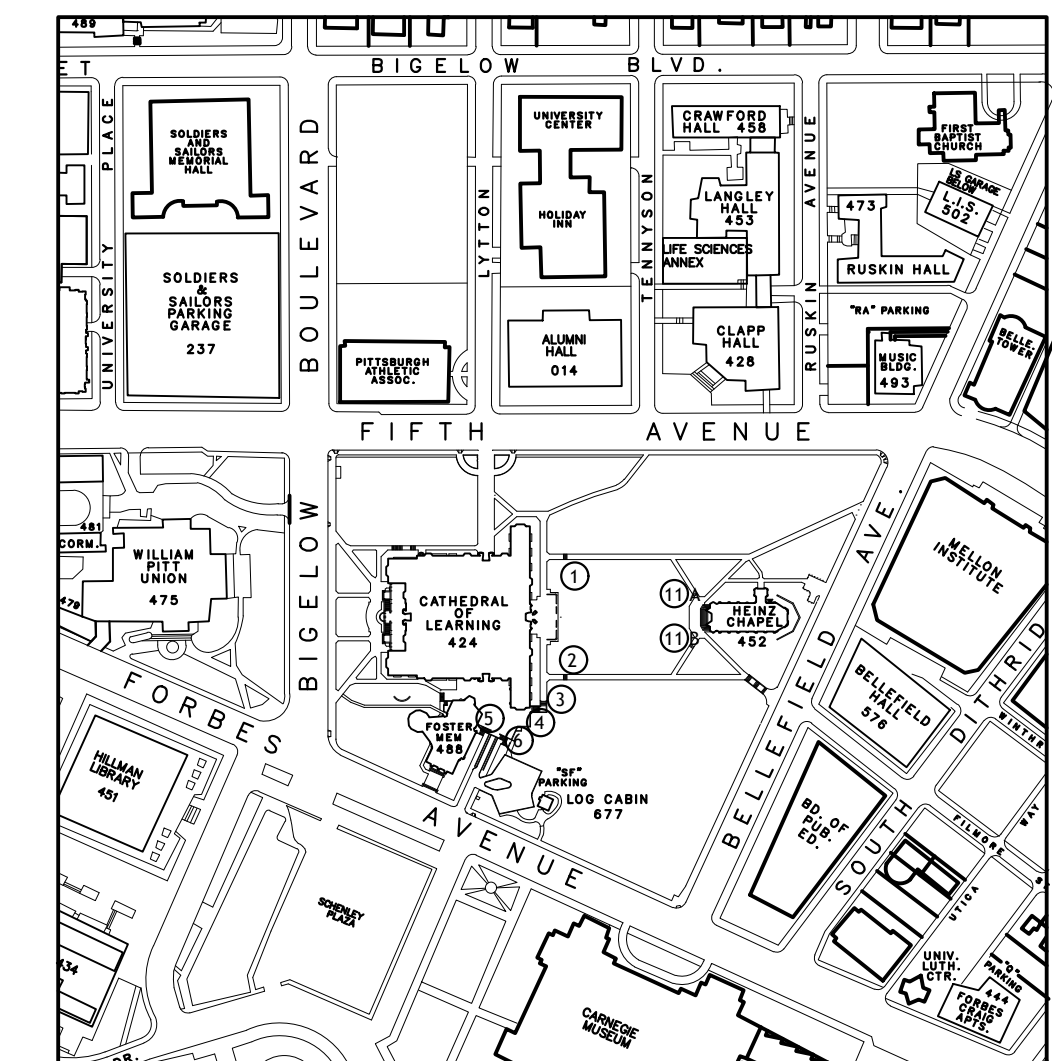
Margittal Architects
2110 Sarah Street
Pittsburgh, PA 15203
T 412 488 5809
F 412 488 3973
www.margittal.com

University of Pittsburgh
Facilities Management

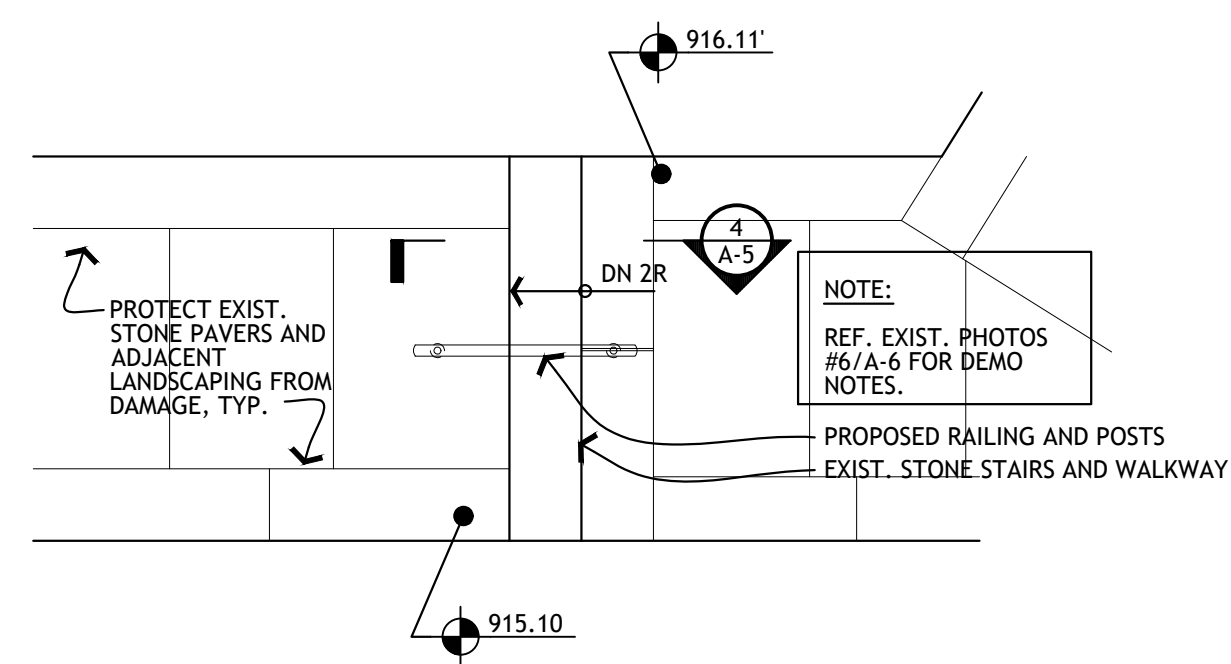
Professional Stamp

Project Name	Job No.
CATHEDRAL OF LEARNING SITE WORK	X6959
Drawing Description	Issue Date
LOCATION #5,#6 EXISTING PHOTOS, PROPOSED PLANS, ELEVATIONS, DETAILS BID SET	06/08/20
CAD File Name	Drawn By
Drawing Number	Set Order
11115	A-5 7 of 9

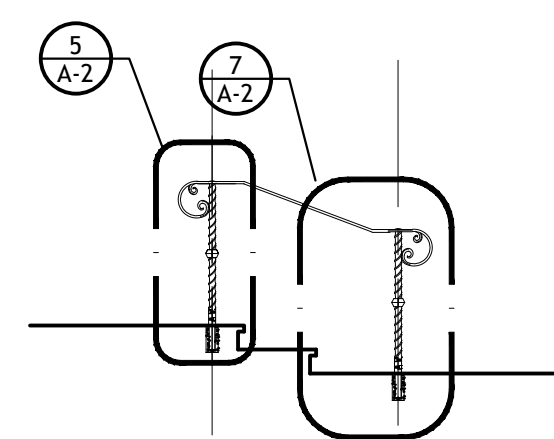
REVISIONS		
No	By	Date



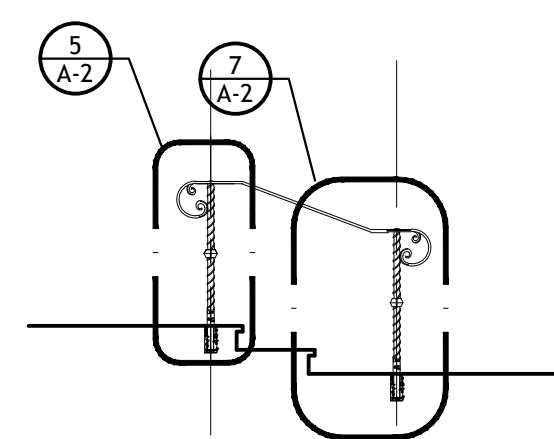
1 PLAN - LOCATION #11A - PROPOSED - DEDUCT ALT.#1
SCALE: 1/4"=1'-0"



3 PLAN - LOCATION #11B - PROPOSED - DEDUCT ALT.#1
SCALE: 1/4"=1'-0"



2 SECTION - LOCATION #11A - PROPOSED - DEDUCT ALT.#1
SCALE: 1/4"=1'-0"

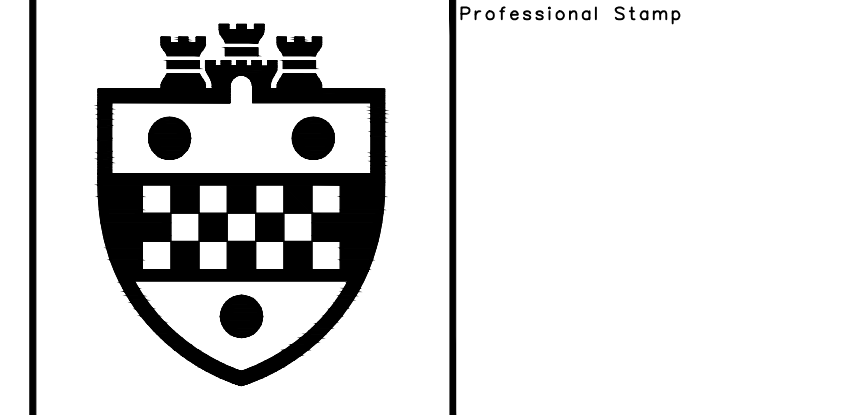


4 SECTION - LOCATION #11B - PROPOSED - DEDUCT ALT.#1
SCALE: 1/4"=1'-0"

NOTE:
PROVIDE DEDUCT ALTERNATE #1
PRICING FOR LOCATIONS SHOWN
ON THIS SHEET.

Margittal Architects
2710 Sarah Street
Pittsburgh, PA 15203
T 412 488 5809
F 412 488 5873
www.margittal.com

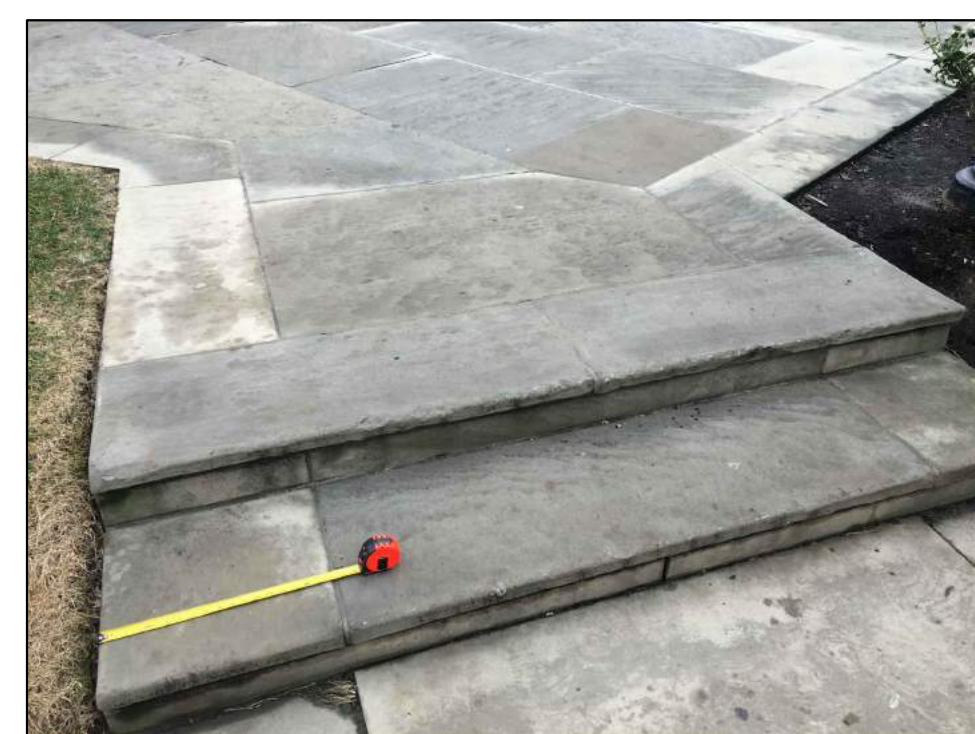
University of Pittsburgh
Facilities Management



Project Name	Job No.
CATHEDRAL OF LEARNING SITE WORK	X6959
	Issue Date
	06/08/20

Drawing Description
LOCATION #11,#12 EXISTING PHOTOS,
PROPOSED PLANS, ELEVATIONS, DETAILS
BID SET

CAD File Name	Drawn By
Drawing Number	Set Order
11115	A-6 8 of 9



5 PHOTOS - LOCATION #11A - EXISTING



6 PHOTOS - LOCATION #11B - EXISTING